

# PARTS LIST

## CAUTION

- The parts identified by the  $\triangle$  symbol are important for the safety. Whenever replacing these parts, be sure to use specified ones to secure the safety .
- The parts not indicated in this Parts List and those which are filled with lines — in the Parts No. columns will not be supplied.
- P. W. Board Ass'y will not be supplied, but those which are filled with the Parts No. in the Parts No. columns will be supplied.

## ABBREVIATIONS OF RESISTORS, CAPACITORS AND TOLERANCES

RESISTORS		CAPACITORS	
C R	Carbon Resistor	C CAP.	Ceramic Capacitor
F R	Fusible Resistor	E CAP.	Electrolytic Capacitor
P R	Plate Resistor	M CAP.	Mylar Capacitor
V R	Variable Resistor	HV CAP.	High Voltage Capacitor
HV R	High Voltage Resistor	MF CAP.	Metalized Film Capacitor
MF R	Metal Film Resistor	MM CAP.	Metalized Mylar Capacitor
MG R	Metal Glazed Resistor	MP CAP.	Metalized Polystyrol Capacitor
MP R	Metal Plate Resistor	PP CAP.	Polypropylene Capacitor
OM R	Metal Oxide Film Resistor	PS CAP.	Polystyrol Capacitor
CMF R	Coating Metal Film Resistor	TF CAP.	Thin Film Capacitor
UNF R	Non-Flammable Resistor	MPP CAP.	Metalized Polypropylene Capacitor
CH V R	Chip Variable Resistor	TAN. CAP.	Tantalum Capacitor
CH MG R	Chip Metal Glazed Resistor	CH C CAP.	Chip Ceramic Capacitor
COMP. R	Composition Resistor	BP E CAP.	Bi-Polar Electrolytic Capacitor
LPTC R	Linear Positive Temperature Coefficient Resistor	CH AL E CAP.	Chip Aluminum Electrolytic Capacitor
		CH AL BP CAP.	Chip Aluminum Bi-Polar Capacitor
		CH TAN. E CAP.	Chip Tantalum Electrolytic Capacitor
		CH AL BP E CAP.	Chip Tantalum Bi-Polar Electrolytic Capacitor

TOLERANCES									
F	G	J	K	M	N	R	H	Z	P
±1%	±2%	±5%	±10%	±20%	±30%	+30% -10%	+50% -10%	+80% -20%	+100% -0%

AV32X10EUS  
 AV28X10EUS  
 AV28X10EKS  
 AV28X10EIS

## CONTENTS

■ USING PW BOARD & REMOTE CONTROL UNIT .....	35
■ REMOTE CONTROL UNIT PARTS LIST .....	35
■ EXPLODED VIEW PARTS LIST .....	36
■ EXPLODED VIEW .....	36
■ PRINTED WIRING BOARD PARTS LIST	

### AV32X10EUS

● MAIN PW BOARD ASS'Y .....	40
● POWER & DEF. PW BOARD ASS'Y .....	42
● CRT SOCKET PW BOARD ASS'Y .....	44
● FRONT CONTROL PW BOARD ASS'Y .....	45
● MICON PW BOARD ASS'Y .....	46
● AV SW PW BOARD ASS'Y .....	47
● 100Hz PW BOARD ASS'Y .....	48

### AV28X10EUS / AV28X10EIS

● MAIN PW BOARD ASS'Y .....	49
● POWER & DEF. PW BOARD ASS'Y .....	51
● CRT SOCKET PW BOARD ASS'Y .....	53
● FRONT CONTROL PW BOARD ASS'Y .....	54
● MICON PW BOARD ASS'Y .....	54
● AV SW PW BOARD ASS'Y .....	54
● 100Hz PW BOARD ASS'Y .....	54

### AV28X10EKS

● MAIN PW BOARD ASS'Y .....	55
● POWER & DEF. PW BOARD ASS'Y .....	57
● CRT SOCKET PW BOARD ASS'Y .....	57
● FRONT CONTROL PW BOARD ASS'Y .....	57
● MICON PW BOARD ASS'Y .....	57
● AV SW PW BOARD ASS'Y .....	57
● 100Hz PW BOARD ASS'Y .....	57

■ PACKING .....	58
■ PACKING PARTS LIST .....	58

## USING PW BOARD & REMOTE CONTROL UNIT

PWB ASS'Y \ Model	AV32X10EUS	AV28X10EUS	AV28X10EIS	AV28X10EKS
MAIN PWB	SMF-1006A-U2	SMF-1007A-U2	←	SMF-1903A-U2
POWER & DEF. PWB	SMF-2002A-U2	SMF-2003A-U2	←	←
CRT SOCKET PWB	SMF-3003A-U2	SMF-3004A-U2	←	←
FRONT CONTROL PWB	SMF-8006A-U2	SMF-8004A-U2	←	←
MICON PWB	SMF0M001A-U2	←	←	←
AV SW PWB	SMF0S002A-U2	←	←	←
100Hz PWB	SMF0Z004A-U2	←	←	←
REMOTE CONTROL UNIT	RM-C54-1C	←	RM-C55-1C	←

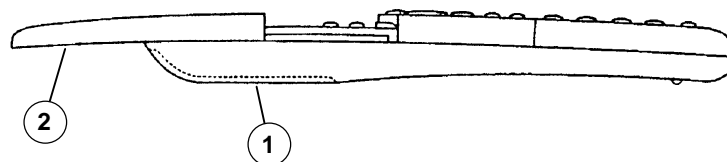
## REMOTE CONTROL UNIT PARTS LIST

### AV32X10EUS / AV28X10EUS (RM-C54-1C)

△ Ref.No.	Part No.	Part Name	Description
1	2AA030733	BATTERY COVER	
2	2AA030732	SLIDE COVER	

### AV28X10EKS / AV28X10EIS (RM-C55-1C)

△ Ref.No.	Part No.	Part Name	Description
1	2AA030733	BATTERY COVER	
2	2AA030740	SLIDE COVER	

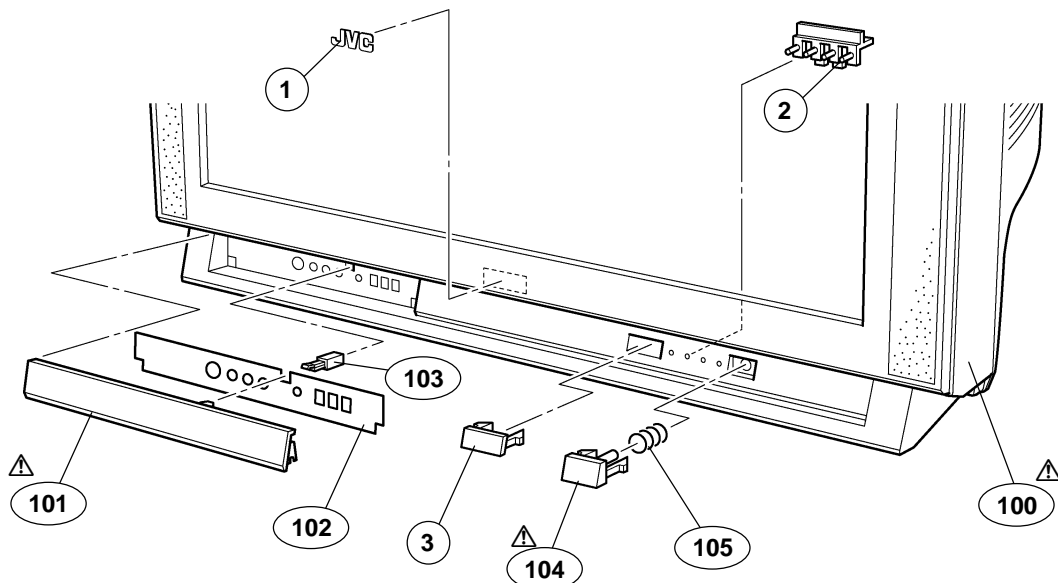


## AV32X10EUS

### EXPLODED VIEW PARTS LIST

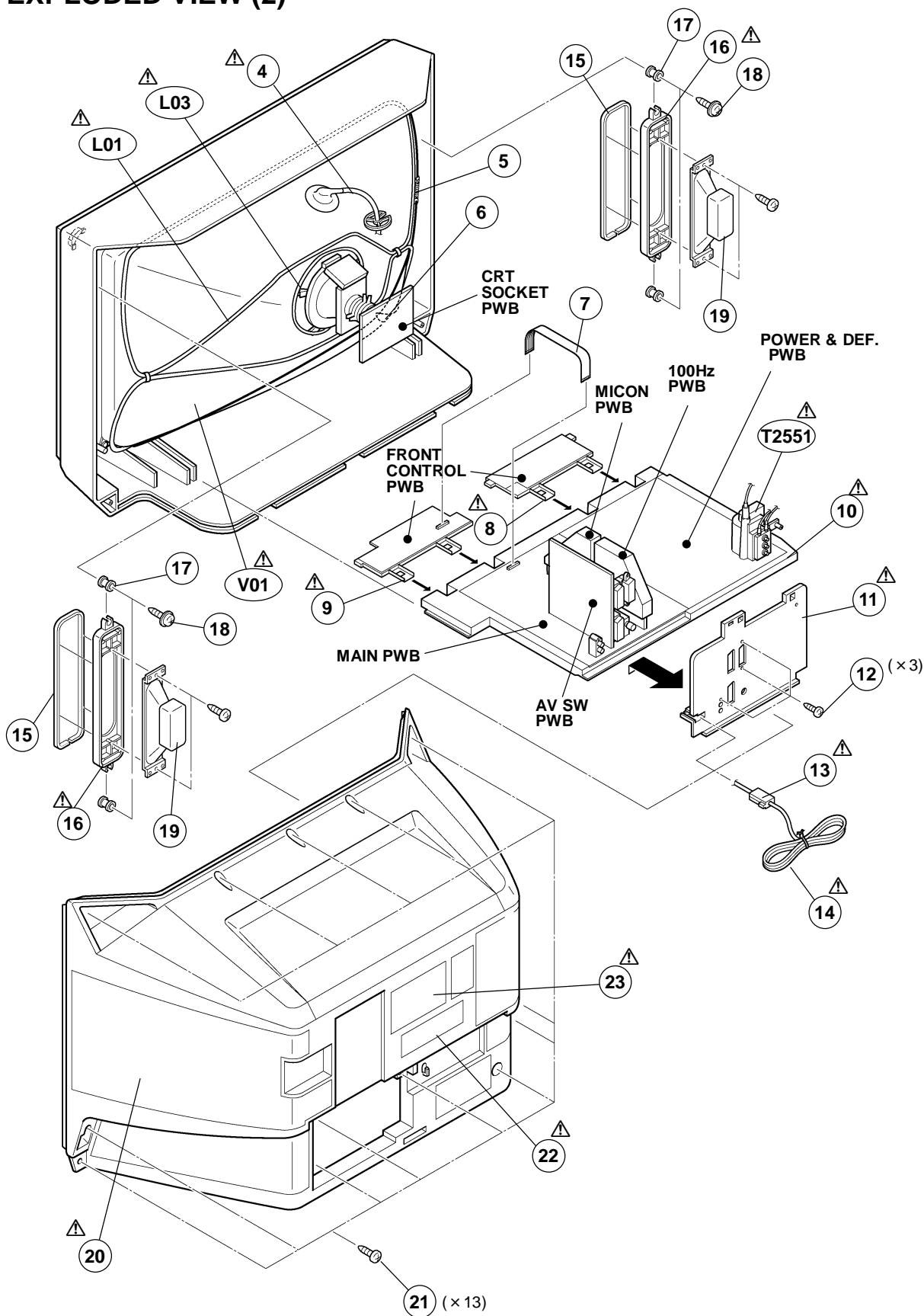
△ Ref.No.	Part No.	Part Name	Description
1	LC40354-003A-C	JVC MARK	
2	LC30580-001B-C	L.E.D. LENS	
3	LC30579-001B-C	REMOCON WINDOW	
△ 100	LC10376-012A-U	F. CABINET ASSY	Inc.No.101~105
△ 101	LC20265-013A-U	DOOR	(SERVICE)
102	LC30597-007B-U	CONTROL SHEET	
103	CM48229-00A-C	DOOR LATCH	
△ 104	LC30578-007A-U	POWER KNOB	(SERVICE)
105	AEM3149-001-E	SPRING	
△ V01	W76ERF041X044	CRT(ITC)	Inc.DY,PC MAGNET, WEDGE
△ L01	QQW0066-001	DEG.COIL	
△ L03	CELD904-001	ROTATION COIL	
△ T2551	QQH0091-002-I2	FBT	(SERVICE)With ANODE WIRE
△ 4	QNZ0369-001	ANODE WIRE	
5	CHGB0029-0C	BRAIDED ASSY	
6	CHGB0017-0B	BRAIDED SUB ASSY	
7	CHFD125-18BD	FFC WIRE	
△ 8	LC10380-001C-U	CONTROL BASE L	
△ 9	LC10380-002B-U	CONTROL BASE R	
△ 10	LC10716-002F-U	CHASSIS BASE	
△ 11	LC10717-005B-U	AV BOARD	
12	QYSB5B3012M	TAPPING SCREW	(×3)For AV BOARD
△ 13	CM46618-A01-E	POWER CORD CLAMP	
△ 14	QMPK160-185-JC	POWER CORD	(CN-PW)
15	LC30599-005A	STICK SHEET	(×2)
△ 16	LC10720-001C-U	SPEAKER ADAPTER	(×2)
17	AEM4087-001-E	BUSHING	(×4)
18	LC40506-001A	TAPPING SCREW	(×4)
19	QAS0046-001	SPEAKER	(×2)SP01,SP02
△ 20	LC10378-004A-U	REAR COVER	
21	QYSB5AG4016N	TAPPING SCREW	(×13)For REAR COVER
△ 22	LC20380-010A-U	RATING LABEL	
△ 23	LC20079-010A-U	RATING LABEL	

### EXPLODED VIEW (1)



# AV32X10EUS

## EXPLODED VIEW (2)

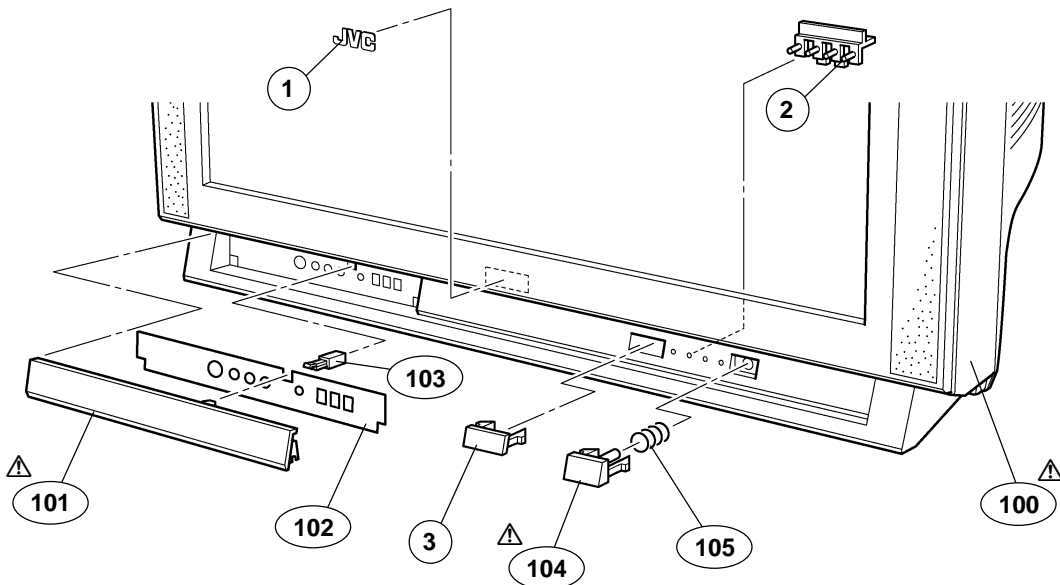


## AV28X10EUS / AV28X10EIS / AV28X10EKS

### EXPLODED VIEW PARTS LIST

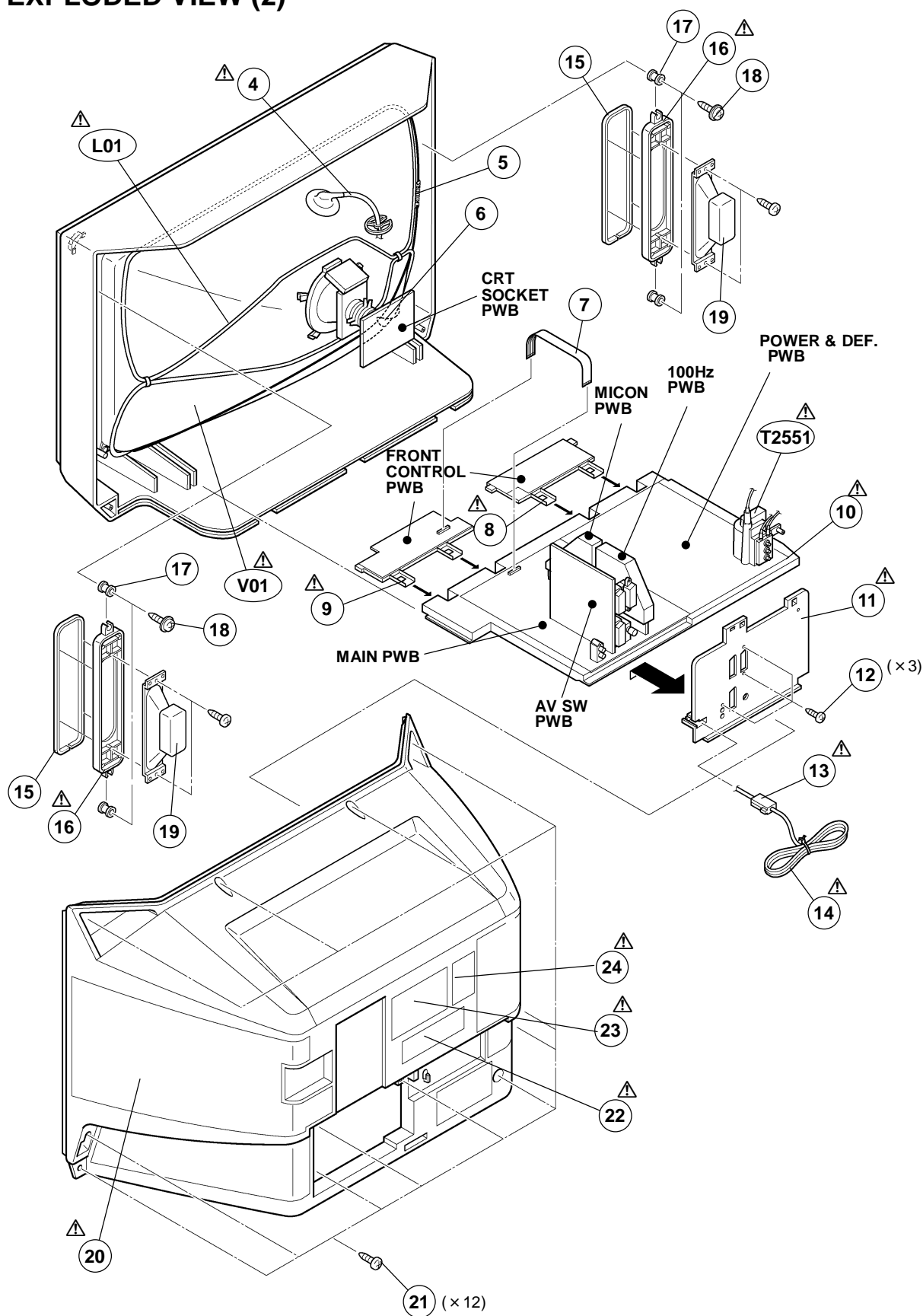
△ Ref.No.	Part No.	Part Name	Description
1	LC40354-003A-C	JVC MARK	
2	LC30580-001B-C	L.E.D. LENS	
3	LC30579-001B-C	REMOCON WINDOW	
△ 100	LC10662-009B-U	F. CABINET ASSY	Inc.No.101~105
△ 101	LC20265-013A-U	DOOR	(SERVICE)
102	LC31109-005A-U	CONTROL SHEET	
103	CM48229-00A-C	DOOR LATCH	
△ 104	LC30578-007A-U	POWER KNOB	(SERVICE)
105	AEM3149-001-E	SPRING	
△ V01	W66QDE891XA25	PICTURE TUBE	Inc.DY, PC MAGNET, WEDGE
△ L01	QQW0101-001	DEG COIL	
△ T2551	QQH0091-003-I2	FBT	(SERVICE)With ANODE WIRE
△ 4	QNZ0369-003	ANODE WIRE	
5	WJY0001-011A	BRAIDED ASSY	
6	WJY0013-002A	BRAIDED SUB ASSY	
7	CHFD125-11BD	FFC WIRE	
△ 8	LC10380-003B-U	CONTROL BASE L	
△ 9	LC10380-004B-U	CONTROL BASE R	
△ 10	LC10716-002F-U	CHASSIS BASE	
△ 11	LC10717-005B-U	AV BOARD	
12	QYSBSB3012M	TAPPING SCREW	(×3)For AV BOARD
△ 13	CM46618-A01-E	POWER CORD CLAMP	
△ 14	QMPK160-185-JC	POWER CORD	(CN-PW) [AV28X10EUS]
△ 14	QMPN130-185-JC	POWER CORD	(CN-PW) [AV28X10EKS/EIS]
15	LC30599-005A	STICK SHEET	(×2)
△ 16	LC10720-001C-U	SPEAKER ADAPTER	(×2)
17	AEM4087-001-E	BUSHING	(×4)
18	LC40506-001A	TAPPING SCREW	(×4)
19	QAS0046-001	SPEAKER	(×2)SP01,SP02
△ 20	LC10664-003A-U	REAR COVER	
21	QYSBSAG4016N	TAPPING SCREW	(×12)For REAR COVER
△ 22	LC20380-009A-U	RATING LABEL	[AV28X10EUS]
△ 22	LC20091-021A-U	RATING LABEL	[AV28X10EKS]
△ 23	LC20379-009A-U	RATING LABEL	[AV28X10EUS]
△ 23	LC20080-013A-U	RATING LABEL	[AV28X10EIS]
△ 24	LC30789-002A-U	WARNING LABEL	[AV28X10EUS]

### EXPLODED VIEW (1)



# AV28X10EUS / AV28X10EIS / AV28X10EKS

## EXPLODED VIEW (2)



## AV32X10EUS

## PRINTED WIRING BOARD PARTS LIST

## ■ MAIN P.W. BOARD ASS'Y (SMF-1006A-U2)

△ Symbol No.	Part No.	Part Name	Description
--------------	----------	-----------	-------------

## RESISTOR

R1004-05	NRSA63J-101X	MG R	100Ω 1/16W J
R1008-09	NRSA63J-0ROX	MG R	0.0Ω 1/16W J
R1101	NRSA63J-102X	MG R	1kΩ 1/16W J
R1102	NRSA63J-181X	MG R	180Ω 1/16W J
R1103	NRSA63J-222X	MG R	2.2kΩ 1/16W J
R1104	NRSA63J-102X	MG R	1kΩ 1/16W J
R1105	NRSA63J-331X	MG R	330Ω 1/16W J
R1106	NRSA63J-270X	MG R	270Ω 1/16W J
R1107	NRSA63J-271X	MG R	270Ω 1/16W J
R1108	NRSA63J-102X	MG R	1kΩ 1/16W J
R1109-11	NRSA63J-101X	MG R	100Ω 1/16W J
R1151	NRSA63J-101X	MG R	100Ω 1/16W J
R1153	NRSA63J-101X	MG R	100Ω 1/16W J
R1156	NRSA63J-0ROX	MG R	0.0Ω 1/16W J
R1158-59	NRSA63J-0ROX	MG R	0.0Ω 1/16W J
R1161	NRSA63J-0ROX	MG R	0.0Ω 1/16W J
R1301-02	NRSA63J-101X	MG R	100Ω 1/16W J
R1303	NRSA63J-273X	MG R	27kΩ 1/16W J
R1304	NRSA63J-0ROX	MG R	0.0Ω 1/16W J
R1311	NRSA63J-331X	MG R	330Ω 1/16W J
R1312	NRSA63J-273X	MG R	27kΩ 1/16W J
R1313	NRSA63J-183X	MG R	18kΩ 1/16W J
R1314	NRSA63J-221X	MG R	220Ω 1/16W J
R1315-17	NRSA63J-101X	MG R	100Ω 1/16W J
R1318	NRSA63J-562X	MG R	5.6kΩ 1/16W J
R1319	NRSA63J-183X	MG R	18kΩ 1/16W J
R1321-22	NRSA63J-0ROX	MG R	0.0Ω 1/16W J
R1401-02	NRSA63J-102X	MG R	1kΩ 1/16W J
R1403-04	NRSA63J-331X	MG R	330Ω 1/16W J
R1405-06	NRSA63J-102X	MG R	1kΩ 1/16W J
R1451	NRSA63J-821X	MG R	820Ω 1/16W J
R1454	NRSA63J-472X	MG R	4.7kΩ 1/16W J
R1455-56	NRSA63J-123X	MG R	12kΩ 1/16W J
R1457	NRSA63J-392X	MG R	3.9kΩ 1/16W J
R1458	NRSA63J-123X	MG R	12kΩ 1/16W J
R1459	NRSA63J-472X	MG R	4.7kΩ 1/16W J
R1461	NRSA63J-123X	MG R	12kΩ 1/16W J
R1462	NRSA63J-153X	MG R	15kΩ 1/16W J
R1463	NRSA63J-124X	MG R	120kΩ 1/16W J
R1464	QRE141J-563Y	C R	56kΩ 1/4W J
R1465-66	NRSA63J-224X	MG R	220kΩ 1/16W J
R1467	NRSA63J-563X	MG R	56kΩ 1/16W J
R1468	NRSA63J-224X	MG R	220kΩ 1/16W J
R1469	NRSA63J-683X	MG R	68kΩ 1/16W J
R1470	NRSA63J-223X	MG R	22kΩ 1/16W J
R1471	NRSA63J-273X	MG R	27kΩ 1/16W J
R1472	NRSA63J-682X	MG R	6.8kΩ 1/16W J
R1473	NRSA63J-123X	MG R	12kΩ 1/16W J
R1474	NRSA63J-563X	MG R	56kΩ 1/16W J
R1475	NRSA63J-153X	MG R	15kΩ 1/16W J
R1476-78	NRSA63J-123X	MG R	12kΩ 1/16W J
R1479	NRSA63J-154X	MG R	150kΩ 1/16W J
R1480	NRSA63J-823X	MG R	82kΩ 1/16W J
R1481	NRSA63J-472X	MG R	4.7kΩ 1/16W J
R1482	NRSA63J-272X	MG R	2.7kΩ 1/16W J
R1483	NRSA63J-472X	MG R	4.7kΩ 1/16W J
R1484	NRSA63J-473X	MG R	47kΩ 1/16W J
R1485	NRSA63J-123X	MG R	12kΩ 1/16W J
R1486	NRSA63J-472X	MG R	4.7kΩ 1/16W J
R1487	NRSA63J-333X	MG R	33kΩ 1/16W J
R1489	NRSA63J-333X	MG R	33kΩ 1/16W J
R1491	NRSA63J-332X	MG R	3.3kΩ 1/16W J
R1492	NRSA63J-562X	MG R	5.6kΩ 1/16W J
R1501	NRSA63J-0ROX	MG R	0.0Ω 1/16W J
R1504	NRSA63J-102X	MG R	1kΩ 1/16W J
R1511	NRSA63J-152X	MG R	1.5kΩ 1/16W J

△ Symbol No.	Part No.	Part Name	Description
--------------	----------	-----------	-------------

## RESISTOR

R1512	NRSA63J-332X	MG R	3.3kΩ 1/16W J
R1521	NRSA63J-223X	MG R	22kΩ 1/16W J
R1522	NRSA63J-562X	MG R	5.6kΩ 1/16W J
R1551	NRSA63J-100X	MG R	10Ω 1/16W J
R1552	NRSA63J-124X	MG R	120kΩ 1/16W J
R1553	NRSA63J-683X	MG R	68kΩ 1/16W J
R1554	NRSA63J-562X	MG R	5.6kΩ 1/16W J
R1555	NRSA63J-333X	MG R	33kΩ 1/16W J
R1556	NRSA63J-472X	MG R	4.7kΩ 1/16W J
R1557	NRSA63J-562X	MG R	5.6kΩ 1/16W J
R1558	NRSA63J-104X	MG R	100kΩ 1/16W J
R1559	NRSA63J-154X	MG R	150kΩ 1/16W J
R1560	NRSA63J-100X	MG R	10Ω 1/16W J
R1561	QRN143J-0ROX	C R	0.0Ω 1/4W J
R1562	NRSA63J-683X	MG R	68kΩ 1/16W J
R1563	NRSA63J-103X	MG R	10kΩ 1/16W J
R1564	NRSA63J-223X	MG R	22kΩ 1/16W J
R1565	NRSA63J-562X	MG R	5.6kΩ 1/16W J
R1591	NRSA63J-561X	MG R	560Ω 1/16W J
R1592	NRSA63J-332X	MG R	3.3kΩ 1/16W J
R1601	NRSA63J-273X	MG R	27kΩ 1/16W J
R1602	NRSA63J-103X	MG R	10kΩ 1/16W J
R1603	NRSA63J-273X	MG R	27kΩ 1/16W J
R1604	NRSA63J-103X	MG R	10kΩ 1/16W J
R1605	NRSA63J-473X	MG R	47kΩ 1/16W J
R1606	NRSA63J-273X	MG R	27kΩ 1/16W J
R1609	NRSA63J-104X	MG R	100kΩ 1/16W J
R1610	NRSA63J-682X	MG R	6.8kΩ 1/16W J
R1618	NRSA63J-333X	MG R	33kΩ 1/16W J
R1619	NRSA63J-104X	MG R	100kΩ 1/16W J
R1620	NRSA63J-562X	MG R	5.6kΩ 1/16W J
R1637	QRK126J-2R2X	C R	2.2Ω 1/2W J
R1639	NRSA63J-561X	MG R	560Ω 1/16W J
R1642-43	NRSA63J-681X	MG R	680Ω 1/16W J
R1644	NRSA63J-104X	MG R	100kΩ 1/16W J
R1645-46	NRSA63J-0ROX	MG R	0.0Ω 1/16W J
R1649	QRK126J-2R2X	C R	2.2Ω 1/2W J
R1650-51	NRSA63J-103X	MG R	10kΩ 1/16W J
R1654-55	NRSA63J-0ROX	MG R	0.0Ω 1/16W J
R1664-65	NRSA63J-103X	MG R	10kΩ 1/16W J
R1666	NRSA63J-473X	MG R	47kΩ 1/16W J
R1667	NRSA63J-183X	MG R	18kΩ 1/16W J
R1668	NRSA63J-473X	MG R	47kΩ 1/16W J
R1669	NRSA63J-183X	MG R	18kΩ 1/16W J
R1670-71	NRSA63J-104X	MG R	100kΩ 1/16W J
R1672	NRSA63J-223X	MG R	22kΩ 1/16W J
R1673	NRSA63J-273X	MG R	27kΩ 1/16W J
R1675	NRSA63J-103X	MG R	10kΩ 1/16W J
R1677-78	NRSA63J-103X	MG R	10kΩ 1/16W J
R1679	NRSA63J-223X	MG R	22kΩ 1/16W J
R1680	NRSA63J-273X	MG R	27kΩ 1/16W J
R1684	NRSA63J-0ROX	MG R	0.0Ω 1/16W J
R1687	NRSA63J-0ROX	MG R	0.0Ω 1/16W J
R1701-02	NRSA63J-103X	MG R	10kΩ 1/16W J
R1703-04	NRSA63J-102X	MG R	1kΩ 1/16W J
R1705-08	NRSA63J-103X	MG R	10kΩ 1/16W J
R1711-12	NRSA63J-101X	MG R	100Ω 1/16W J
R1714-15	NRSA63J-102X	MG R	1kΩ 1/16W J
R1716-17	NRSA63J-0ROX	MG R	0.0Ω 1/16W J
R1720-22	NRSA63J-102X	MG R	1kΩ 1/16W J
R1772-76	NRSA63J-221X	MG R	220Ω 1/16W J
R1951	QRK126J-220X	C R	220Ω 1/2W J
C1001	NCB31HK-222X	CHIP CAP.	2200pF 50V K
C1002	QETN1HM-106Z	E CAP.	10μF 50V M
C1004	NCB31CK-104X	CHIP CAP.	0.1μF 16V K
C1005	QETN1CH-108Z	E CAP.	1000μF 16V M



△ Symbol No.	Part No.	Part Name	Description
<b>CAPACITOR</b>			
C1006	NCB31HK-103X	C CAP.	0.01μF 50V K
C1007	QETN1HM-106Z	E CAP.	10μF 50V M
C1009	NCB31CK-104X	CHIP CAP.	0.1μF 16V K
C1010	QETN1HM-106Z	E CAP.	10μF 50V M
C1101	NCB31CK-104X	CHIP CAP.	0.1μF 16V K
C1102	QETN1HM-106Z	E CAP.	10μF 50V M
C1103	NCB31CK-104X	CHIP CAP.	0.1μF 16V K
C1104	QETN1CM-107Z	E CAP.	100μF 16V M
C1105	QETN1HM-106Z	E CAP.	10μF 50V M
C1106-07	NCB31CK-104X	CHIP CAP.	0.1μF 16V K
C1108	NDC31HJ-680X	C CAP.	680pF 50V J
C1111	NDC31HJ-821X	C CAP.	820pF 50V J
C1112-13	NDC31HJ-470X	C CAP.	47pF 50V J
C1114	NDC31HJ-180X	C CAP.	18pF 50V J
C1115-16	NCB31HK-472X	C CAP.	4700pF 50V K
C1117-18	NCB31HK-103X	C CAP.	0.01μF 50V K
C1119-20	NDC31HJ-2R0X	C CAP.	2.0pF 50V J
C1121	NCB31HK-103X	C CAP.	0.01μF 50V K
C1122-23	NDC31HJ-102X	C CAP.	1000pF 50V J
C1124-25	QETN1HM-106Z	E CAP.	10μF 50V M
C1126	NCB31CK-104X	CHIP CAP.	0.1μF 16V K
C1127	QETN1HM-106Z	E CAP.	10μF 50V M
C1128	NCB31CK-104X	CHIP CAP.	0.1μF 16V K
C1129	NCF31AZ-105X	C CAP.	1μF 10V Z
C1130	QETN1HM-106Z	E CAP.	10μF 50V M
C1151-54	NCF31AZ-105X	C CAP.	1μF 10V Z
C1155-56	NDC31HJ-102X	C CAP.	1000pF 50V J
C1301	QETN1CM-107Z	E CAP.	100μF 16V M
C1302-03	NCB31CK-104X	CHIP CAP.	0.1μF 16V K
C1305-09	NCB31CK-104X	CHIP CAP.	0.1μF 16V K
C1310	QETN1AM-228Z	E CAP.	2200μF 10V M
C1311	NCB31CK-683X	CHIP CAP.	0.068μF 16V K
C1312	NDC31HJ-221X	C CAP.	220pF 50V J
C1313-15	NCB31HK-223X	CHIP CAP.	0.022μF 50V K
C1316-18	NCB31HK-103X	C CAP.	0.01μF 50V K
C1320	QETN0JM-228Z	E CAP.	2200μF 6.3V M
C1321-23	NCB31HK-223X	CHIP CAP.	0.022μF 50V K
C1324	NDC31HJ-820X	C CAP.	82pF 50V J
C1351	QENC1EM-106Z	BP E CAP.	10μF 25V M
C1401	NCB31CK-104X	CHIP CAP.	0.1μF 16V K
C1402	QETN1CM-107Z	E CAP.	100μF 16V M
C1403-04	NCB31CK-104X	CHIP CAP.	0.1μF 16V K
C1453	NCB31HK-103X	C CAP.	0.01μF 50V K
C1454	NCB31EK-333X	CHIP CAP.	0.033μF 25V K
C1455-56	NCB31CK-104X	CHIP CAP.	0.1μF 16V K
C1457	NCB31EK-333X	CHIP CAP.	0.033μF 25V K
C1458	QFV71HJ-104Z	MF CAP.	0.1μF 50V J
C1471	NCB31CK-104X	CHIP CAP.	0.1μF 16V K
C1472	NCB31HK-103X	C CAP.	0.01μF 50V K
C1473	NCB31CK-104X	CHIP CAP.	0.1μF 16V K
C1474	NCB31EK-333X	CHIP CAP.	0.033μF 25V K
C1475	NCB31CK-104X	CHIP CAP.	0.1μF 16V K
C1491	NCB31EK-473X	CHIP CAP.	0.047μF 25V K
C1501-02	NDC31HJ-150X	C CAP.	15pF 50V J
C1521	NCB31HK-103X	C CAP.	0.01μF 50V K
C1551-52	NCF31CZ-224X	C CAP.	0.22μF 16V Z
C1553	QETN1EM-476Z	E CAP.	47μF 25V M
C1554-55	NCF31CZ-224X	C CAP.	0.22μF 16V Z
C1560	QETN1CM-107Z	E CAP.	100μF 16V M
C1561	NDC31HJ-561X	C CAP.	560pF 50V J
C1562	QETN1HM-105Z	E CAP.	1μF 50V M
C1564	QFV71HJ-104Z	MF CAP.	0.1μF 50V J
C1591	NDC31HJ-471X	C CAP.	470pF 50V J
C1606-07	QETN1CM-227Z	E CAP.	220μF 16V M
C1616	QETN1HM-105Z	E CAP.	1μF 50V M
C1618	QETN1HM-105Z	E CAP.	1μF 50V M
C1628	QETN1HM-107Z	E CAP.	100μF 50V M
C1629	QETN1HM-106Z	E CAP.	10μF 50V M
C1630	NCF21HZ-224X	C CAP.	0.22μF 50V Z
C1632	NCF21HZ-224X	C CAP.	0.22μF 50V Z
C1634	QETN1HM-228	E CAP.	2200μF 50V M
C1641-42	NCF21HZ-224X	C CAP.	0.22μF 50V Z

△ Symbol No.	Part No.	Part Name	Description
<b>CAPACITOR</b>			
C1646-47	NCB31HK-103X	C CAP.	0.01μF 50V K
C1648-49	QETM1VM-108	E CAP.	1000μF 35V M
C1673-74	NCF31AZ-105X	C CAP.	1μF 10V Z
C1675	QETN1EM-476Z	E CAP.	47μF 25V M
C1676-77	NDC31HJ-151X	C CAP.	150pF 50V J
C1678-79	NDC31HJ-150X	C CAP.	15pF 50V J
C1680	NCF31AZ-105X	C CAP.	1μF 10V Z
C1681	NCB31HK-332X	CHIP CAP.	3300pF 50V K
C1682	NCB31EK-333X	CHIP CAP.	0.033μF 25V K
C1683	QETN1EM-476Z	E CAP.	47μF 25V M
C1684	NCB31HK-332X	CHIP CAP.	3300pF 50V K
C1685	NCB31EK-333X	CHIP CAP.	0.033μF 25V K
C1686	NCF31AZ-105X	C CAP.	1μF 10V Z
C1687	QETN1HM-106Z	E CAP.	10μF 50V M
C1688	QETN1EM-476Z	E CAP.	47μF 25V M
C1689	NCB31CK-104X	CHIP CAP.	0.1μF 16V K
C1695	NRSA63J-0R0X	MG R	0.0Ω 1/16W J
C1698	NRSA63J-0R0X	MG R	0.0Ω 1/16W J
C1699	NCB31HK-103X	C CAP.	0.01μF 50V K
C1701	QETN1HM-106Z	E CAP.	10μF 50V M
C1702	NCB31CK-563X	CHIP CAP.	0.056μF 16V K
C1951	QETN1CM-477Z	E CAP.	470μF 16V M
C1952-53	NCB31CK-104X	CHIP CAP.	0.1μF 16V K
C1954	QETN1AM-477Z	E CAP.	470μF 10V M
C1955	QETN1AM-227Z	E CAP.	220μF 10V M
C1956	QETN1AM-107Z	E CAP.	100μF 10V M

**COIL**

L1001	QQL244K-270Z	PEAKING COIL	
L1002-03	QQL244K-100Z	COIL	10μH K
L1004	NQL092K-100X	INDUCTOR	
L1101	QRN143J-0R0X	C R	0.0Ω 1/4W J
L1102	QQL244K-4R7Z	COIL	4.7μH K
L1111	QQL244K-220Z	PEAKING COIL	
L1112	QQL244K-180Z	COIL	18μH K
L1301-02	NQL092K-1R5X	CHIP INDUCTOR	
L1951	QQL26AM-5R6Z	CHOKE COIL	

**DIODE**

D1317-18	MA111-X	SI DIODE	
D1471-74	MA111-X	SI DIODE	
D1521	MA111-X	SI DIODE	
D1591	MA111-X	SI DIODE	
D1592	MA3051/M/-X	ZENER DIODE	
D1602	MA111-X	SI DIODE	
D1610-11	MA111-X	SI DIODE	
D1614-15	MA111-X	SI DIODE	
D1617	MA111-X	SI DIODE	
D1619-20	MA3330/L/-X	ZENER DIODE	
D1771-74	MA3056/M/-X	ZENER DIODE	
D1951	1SR35-400A-T5	SI DIODE	
D1981-82	MA111-X	SI DIODE	

**TRANSISTOR**

Q1101-02	2SC2412K/QR/-X	SI TRANSISTOR	
Q1471-72	2SC2412K/QR/-X	SI TRANSISTOR	
Q1561	2SC2412K/QR/-X	SI TRANSISTOR	
Q1562	2SA1037AK/QR/-X	SI TRANSISTOR	
Q1601-02	2SA1037AK/QR/-X	SI TRANSISTOR	
Q1604-05	DTC124EKA-X	DIGI. TRANSISTOR	
Q1606	2SC2412K/QR/-X	SI TRANSISTOR	
Q1607	DTA124EKA-X	DIGI. TRANSISTOR	
Q1615	2SA1037AK/QR/-X	SI TRANSISTOR	
Q1616-17	DTC323TK-X	DIGI. TRANSISTOR	

**IC**

IC1101	MSP3415DQGB3GHX	I.C. (MONO-ANA)	
IC1301	SDA9380	I C	
IC1402	BA10324AF-XE	I C	

Symbol No.	Part No.	Part Name	Description
<b>IC</b>			
IC1471	UPC358G2-XE	I.C. (MONO-ANA)	
IC1551	LA6515	I.C. (MONO-ANA)	
IC1601	TA8246AH	I.C. (HYBRID)	
IC1662	BA4558F-X	I.C. (MONO-ANA)	
IC1663	NJM2150AM-X	I.C. (MONO-ANA)	
IC1701	JLC1562BF-X	I.C. (DIGI-MOS)	
IC1951	BA09T	I.C. (MONO-ANA)	
IC1952	BA08T	I.C. (MONO-ANA)	
<b>OTHERS</b>			
CN1013	QGA2501C1-10	W TO B CONNE	
CN10C2	QGA2501C5-06Z	EH POST HEADER	
J1001	QNN0296-001	PIN JACK	
LC1102	NQR0431-001X	EMI FILTER	
LC1301-03	NQR0431-001X	EMI FILTER	
K1001	NQR0389-003X	FERRITE BEADS	
K1101-02	NQR0389-003X	FERRITE BEADS	
K1301	NQR0413-003X	CHIP BEADS	
K1601-02	CE42681-001Y	BEADS CORE	
TU1001	QAU0188-003	TUNER	
X1101	CE42546-001Z	CRYSTAL	
X1501	QAX0549-001Z	CRYSTAL	
Y1612-13	NCF21CZ-105X	C CAP.	1μF 16V Z

**POWER & DEF. P.W. BOARD ASS'Y  
(SMF-2002A-U2)**

Symbol No.	Part No.	Part Name	Description
<b>RESISTOR</b>			
R2401-02	QRE141J-562Y	C R	5.6kΩ 1/4W J
R2403	QRE141J-222Y	C R	2.2kΩ 1/4W J
R2404	QRX01GJ-1R0	MF R	1.0Ω 1W J
R2405	QRL029J-151	OM R	150Ω 2W J
R2406	QRE141J-222Y	C R	2.2kΩ 1/4W J
R2407-08	QRX01GJ-1R5	MF R	1.5Ω 1W J
R2409	QRE141J-823Y	C R	82kΩ 1/4W J
R2410	QRE141J-103Y	C R	10kΩ 1/4W J
R2421	QRE141J-103Y	C R	10kΩ 1/4W J
R2422	QRE141J-274Y	C R	270kΩ 1/4W J
R2461	QRG029J-820	OM R	82 Ω 2W J
R2462	QRE141J-473Y	C R	47kΩ 1/4W J
R2463	QRE141J-682Y	C R	6.8kΩ 1/4W J
R2464	QRX01GJ-3R3	MF R	3.3Ω 1W J
R2468	QRE141J-102Y	C R	1kΩ 1/4W J
R2469	QRE141J-272Y	C R	2.7kΩ 1/4W J
R2471	QRE141J-391Y	C R	390Ω 1/4W J
R2472	QRA14CF-1002Y	MF R	10kΩ 1/4W F
R2473	QRE141J-473Y	C R	47kΩ 1/4W J
R2474	QRE141J-103Y	C R	10kΩ 1/4W J
R2475	QRE141J-102Y	C R	1kΩ 1/4W J
R2476	QRE141J-102Y	C R	1kΩ 1/4W J
R2477	QRE141J-563Y	C R	56kΩ 1/4W J
R2478	QRE141J-333Y	C R	33kΩ 1/4W J
R2501	QRE141J-471Y	C R	470Ω 1/4W J
R2502	QRE141J-123Y	C R	12kΩ 1/4W J
R2503	QRE121J-152Y	C R	1.5kΩ 1/2W J
R2504	QRL039J-272	OM R	2.7kΩ 3W J
R2505	QRL039J-332	OM R	3.3kΩ 3W J
R2506	QRE121J-5R6Y	C R	5.6Ω 1/2W J
R2521	QRE121J-471Y	C R	470Ω 1/2W J
R2522	QRE141J-223Y	C R	22kΩ 1/4W J
R2523	QRE141J-103Y	C R	10kΩ 1/4W J
R2524	QRC121K-152Z	COMP. R	1.5kΩ 1/2W K
R2541	QRE141J-182Y	C R	1.8kΩ 1/4W J
R2542	QRE141J-222Y	C R	2.2kΩ 1/4W J
R2543	QRE121J-272Y	C R	2.7kΩ 1/2W J
△ R2551	QRZ9022-R47	F R	0.47 Ω 1W K
△ R2552	QRZ9022-R47	F R	0.47 Ω 1W K
△ R2553	QRZ9017-4R7	F R	4.7 Ω 1/4W J
R2554	QRE141J-0R0Y	C R	0.0Ω 1/4W J
R2561	QRG01GJ-220	OM R	22Ω 1W J
R2562	QRE121J-123Y	C R	12kΩ 1/2W J
R2563	QRZ0056-103Z	COMP. R	10kΩ
R2581	QRF154K-4R7	UNF R	4.7Ω 15W K
R2582	QRE141J-681Y	C R	680Ω 1/4W J
R2583	QRE121J-682Y	C R	6.8kΩ 1/2W J
R2584	QRE141J-183Y	C R	18kΩ 1/4W J
R2585	QRE141J-222Y	C R	2.2kΩ 1/4W J
R2586	QRA14CF-6801Y	MF R	6.8kΩ 1/4W F
R2587	QRA14CF-2101Y	MF R	2.1kΩ 1/4W F
R2588	QRE141J-103Y	C R	10kΩ 1/4W J
△ R2591	QRZ9017-4R7	F R	4.7 Ω 1/4W J
R2901	QRE121J-331Y	C R	330Ω 1/2W J
R2902	QRF054K-3R3	UNF R	3.3Ω 5W K
R2903	QRF104K-3R9	UNF R	3.9Ω 10W K
R2904	QRL039J-683	OM R	68kΩ 3W J
R2905-06	QRE121J-474Y	C R	470kΩ 1/2W J
R2908-09	QRL039J-823	OM R	82kΩ 3W J
△ R2910	QRZ9017-4R7	F R	4.7 Ω 1/4W J
R2911	QRE121J-152Y	C R	1.5kΩ 1/2W J
R2914	QRM059J-R10	MP R	0.10Ω 5W J
R2915	QRE121J-681Y	C R	680Ω 1/2W J
R2916	QRE121J-332Y	C R	3.3kΩ 1/2W J
△ R2932	QRZ9017-470	F R	47 Ω 1/4W J
R2933	QRE121J-272Y	C R	2.7kΩ 1/2W J
R2934	QRE121J-564Y	C R	560kΩ 1/2W J
R2935	QRE141J-472Y	C R	4.7kΩ 1/4W J
R2936	QRX01GJ-3R9	MF R	3.9Ω 1W J
R2937	QRE121J-681Y	C R	680Ω 1/2W J
R2941	QRE121J-331Y	C R	330Ω 1/2W J
R2942	QRE121J-471Y	C R	470Ω 1/2W J

Symbol No.	Part No.	Part Name	Description
<b>RESISTOR</b>			
R2943	QRE141J-103Y	C R	10kΩ 1/4W J
R2944	QRE141J-103Y	C R	10kΩ 1/4W J
R2945	QRE141J-563Y	C R	56kΩ 1/4W J
R2946	QRE141J-103Y	C R	10kΩ 1/4W J
R2949	QRE141J-101Y	C R	100Ω 1/4W J
R2950	QRE141J-103Y	C R	10kΩ 1/4W J
R2951	QRE121J-102Y	C R	1kΩ 1/2W J
R2952	QRL039J-223	OM R	22kΩ 3W J
R2953	QRE141J-474Y	C R	470kΩ 1/4W J
R2954	QRE141J-103Y	C R	10kΩ 1/4W J
R2959	QRT039J-R68	MF R	0.68Ω 3W J
R2960	QRE141J-103Y	C R	10kΩ 1/4W J
R2963	QRL039J-561	OM R	560Ω 3W J
R2981	QRE141J-153Y	C R	15kΩ 1/4W J
R2982	QRE141J-102Y	C R	1kΩ 1/4W J
△ R2991	QRZ0057-825	C R	8.2MΩ 1W J

Symbol No.	Part No.	Part Name	Description
<b>CAPACITOR</b>			
C2403	QFLC2AJ-104Z	M CAP.	0.1μF 100V J
C2404	QCZ0120-104Z	C CAP.	0.1μF 25V Z
C2405	QDC31HJ-820Z	C CAP.	82pF 50V J
C2406	QETM1VM-108	E CAP.	1000pF 35V M
C2408	QETM1VM-337Z	E CAP.	330μF 35V M
C2409-10	QFV71HJ-474Z	MF CAP.	0.47μF 50V J
C2411	QFLC2AJ-104Z	M CAP.	0.1μF 100V J
C2414	QCB31HK-682Z	C CAP.	6800pF 50V K
C2421	QETN1HM-105Z	E CAP.	1μF 50V M
C2461	QEZO472-106Z	E CAP.	10μF 250V M
C2462	QFM72DJ-152Z	M CAP.	1500pF 200V J
C2463	QFM72DJ-122Z	M CAP.	1200pF 200V J
C2464	QCZ0120-104Z	C CAP.	0.1μF 25V Z
C2465	QETN1HM-106Z	E CAP.	10μF 50V M
C2466	QFP31HJ-272Z	PP CAP.	2700pF 50V J
C2467	QFLC1HJ-102Z	M CAP.	1000pF 50V J
C2468	QETN1EM-476Z	E CAP.	47μF 25V M
C2470	QCS31HJ-470Z	C CAP.	47pF 50V J
C2471	QFLC1HJ-103Z	M CAP.	0.01μF 50V J
C2501	QCB32HK-331Z	C CAP.	330pF 500V K
C2502	QFM72DK-103	M CAP.	0.01μF 200V K
C2503	QFV71HJ-224Z	MF CAP.	0.22μF 50V J
C2521	QFZ0122-112	MPP CAP.	1100pF1.8kVH±3%
△ C2522	QFZ0200-113	MPP CAP.	0.011μF1.5kVH±3%
C2523	QFM72DK-393	M CAP.	0.039μF 200V K
△ C2524	QFP32JJ-183	PP CAP.	0.018μF 630V J
C2525	QFZ0194-914	MPP CAP.	0.91μF 250V J
C2526	QFZ0197-104	MPP CAP.	0.11μF 250V J
C2527	QFZ0194-154	MPP CAP.	0.15μF 250V J
C2528	QFZ0197-104	MPP CAP.	0.11μF 250V J
C2529	QFZ0194-154	MPP CAP.	0.15μF 250V J
C2530	QCB32HK-561Z	C CAP.	560pF 500V K
C2531	QFZ0194-534	MPP CAP.	0.53μF 250V J
C2532	QETM2CM-227	E CAP.	220μF 160V M
C2541	QENC1HM-105Z	BP E CAP.	1μF 50V M
C2551	QCB32HK-152Z	C CAP.	1500pF 500V K
C2552	QETN1CM-108Z	E CAP.	1000μF 16V M
C2553	QCB32HK-152Z	C CAP.	1500pF 500V K
C2554	QETN1CM-108Z	E CAP.	1000μF 16V M
C2555	QCB32HK-102Z	C CAP.	1000pF 500V K
C2556	QETN2EM-106Z	E CAP.	10μF 250V M
C2558	QETN1CM-477Z	E CAP.	470μF 16V M
C2559	QEHR1CM-227Z	E CAP.	220μF 16V M
C2561	QFLC2AJ-223Z	M CAP.	0.022μF 100V J
C2581	QETN1CM-107Z	E CAP.	100μF 16V M
C2582	QETN1EM-476Z	E CAP.	47μF 25V M
C2583	QETN2AM-106Z	E CAP.	10μF 100V M
C2584	QETN1AM-227Z	E CAP.	220μF 10V M
△ C2901	QFZ9075-473	MPP CAP.	0.047μFAC275V M
△ C2902	QFZ9075-104	MPP CAP.	0.1μFAC275V M
△ C2903	QFZ9075-473	MPP CAP.	0.047μFAC275V M
C2904	QCZ9054-472	C CAP.	4700pFAC250V Z
C2905	QCZ9054-472	C CAP.	4700pFAC250V Z
C2906	QCZ9054-472	C CAP.	4700pFAC250V Z

Symbol No.	Part No.	Part Name	Description
<b>CAPACITOR</b>			
C2907	QEZO199-227	E CAP.	220μF 400V M
C2908	QCB32HK-103	C CAP.	0.01μF 500V K
C2909	QCZ0340-391	C CAP.	390pF 2kV K
C2910	QETN1HM-476Z	E CAP.	47μF 50V M
C2911	QCB31HK-122Z	C CAP.	1200pF 50V K
C2912	QCZ0340-561	C CAP.	560pF 2kV K
C2914	QCB31HK-471Z	C CAP.	470pF 50V K
C2916	QCB32HK-152Z	C CAP.	1500pF 500V K
△ C2931	QCZ9054-472	C CAP.	4700pFAC250V Z
△ C2932	QCZ9054-472	C CAP.	4700pFAC250V Z
△ C2933	QCZ9054-472	C CAP.	4700pFAC250V Z
C2934	QETM2GM-226	E CAP.	22μF 400V M
C2936	QCZ0340-151	C CAP.	150pF 2kV K
C2937	QETN1HM-475Z	E CAP.	4.7μF 50V M
C2938	QCB31HK-222Z	C CAP.	2200pF 50V K
C2939	QFLC1HJ-103Z	M CAP.	0.01μF 50V J
C2940	QCB31HK-471Z	C CAP.	470pF 50V K
C2941	QETN1AM-108Z	E CAP.	1000pF 10V M
C2942	QFLC1HJ-102Z	M CAP.	1000pF 50V J
C2951	QEZO203-227	E CAP.	220μF 160V M
C2952	QTHM1EM-228	E CAP.	2200μF 25V M
C2954	QETM1VM-228	E CAP.	2200μF 35V M
C2959	QFV71HJ-684Z	MF CAP.	0.68μF 50V J
C2960	QCZ0131-821	C CAP.	820pF 2kV K
C2963	QCB32HK-152Z	C CAP.	1500pF 500V K
C2972	QETN1CM-108Z	E CAP.	1000μF 16V M
C2974-75	QEZO256-128	E CAP.	1200μF 10V M
C2976	QETN1CM-108Z	E CAP.	1000μF 16V M
C2978-79	QEZO256-128	E CAP.	1200μF 10V M
△ C2991	QCZ9079-222	C CAP.	2200pFAC250V M
△ C2993	QCZ9079-471	C CAP.	470pFAC250V K

Symbol No.	Part No.	Part Name	Description
<b>TRANSFORMER</b>			
T2501	QQR1111-001	DRIVE TRANSF.	
T2521	QQR1188-001	PIN TRANSF.	
△ T2551	QQH0091-003-12	FBT	(SERVICE)with ANODE WIRE
T2561	QQR1096-001	DEF. TRANSF.	
△ T2901	QQS0102-001	SW TRANSF.	
△ T2931	QQS0101-001	SW TRANSF.	

Symbol No.	Part No.	Part Name	Description
<b>COIL</b>			
L2461	QQLZ030-801	INDUCTOR	
L2462	QQLZ028-272	CHOKE COIL	
L2521	QQLZ031-180	CHOKE COIL	
L2522	QQR1191-001	LINEARITY COIL	
L2551	QQLZ026-540	HEATER CHOKE	
L2552	QQLZ26AK-220Z	COIL	22μH K
L2561	QQLZ028-272	CHOKE COIL	
L2901-02	QQL401K-100Z	CHOKE COIL	
L2903	QQR1200-001	CHOKE COIL	
L2951	QQLZ026-460	HEATER CHOKE	
L2954-55	QQR1129-001	CHOKE COIL	
L2957	QQLZ026-460	HEATER CHOKE	
L2958	QQLZ026-460	HEATER CHOKE	
L2959-60	QQLZ26AK-220Z	COIL	22μH K

Symbol No.	Part No.	Part Name	Description
<b>DIODE</b>			
D2402	1SR35-400A-T2	SI. DIODE	
D2421	1SS133-T2	SI. DIODE	
D2461	EU2-T3	SI. DIODE	
D2462	1SS133-T2	SI. DIODE	
D2463	1SS133-T2	SI. DIODE	
D2501	1SS81-T5	SI. DIODE	
D2521	V11CA-C1	SI. DIODE	
D2522	FMV-3FU-F1	SI. DIODE	
D2523	MTZJ22B-T2	ZENER DIODE	
D2541	EU2-T3	SI. DIODE	
D2542	MTZJ3.9B-T2	ZENER DIODE	
D2551	EU2-T3	SI. DIODE	
D2552	EU2-T3	SI. DIODE	
D2553	RH1S-T3	SI. DIODE	
D2582	MTZJ7.5B-T2	ZENER DIODE	
D2583	MTZJ7.5S-T2	ZENER DIODE	

Symbol No.	Part No.	Part Name	Description
<b>DIODE</b>			
Δ D2584	EU2-T3	SI. DIODE	
D2901	D35B60	BRIDGE DIODE	
D2902	RG1C-LFA1	SI. DIODE	
D2904	AU01Z-T2	SI. DIODE	
D2905	AU01Z-T2	SI. DIODE	
D2906	MTZJ27B-T2	ZENER DIODE	
D2907	1S5133-T2	SI. DIODE	
D2908	1S5133-T2	SI. DIODE	
D2910	MTZJ15B-T2	ZENER DIODE	
D2912	MTZJ27B-T2	ZENER DIODE	
Δ D2931	S1WB/A/60-4101	SI. DIODE	
D2933	AU01Z-T2	SI. DIODE	
D2934	AU01Z-T2	SI. DIODE	
D2935	1S5133-T2	SI. DIODE	
D2941	RGPI0J-5025-T3	SI. DIODE	
D2943	MTZJ7.5B-T2	ZENER DIODE	
D2944	NJM431L-T	I.C. (MONO-ANA)	
D2945	1S5133-T2	SI. DIODE	
D2951	RU4B-F1	SI. DIODE	
D2952	FMX-G12S	SI. DIODE	
D2953	RU4B-F1	SI. DIODE	
D2954	FMX-G12S	SI. DIODE	
D2958	MTZJ33B-T2	ZENER DIODE	
D2959-60	RK34-LFC4	SI. DIODE	
D2961	1SR35-400A-T2	SI. DIODE	
D2981	1S5133-T2	SI. DIODE	
D2984	1S5133-T2	SI. DIODE	
D2985	1S5133-T2	SI. DIODE	

<b>TRANSISTOR</b>			
Q2421	DTC124ESA-T	DIGI. TRANSISTOR	
Q2422	2SC1740S/QR/-T	SI. TRANSISTOR	
Q2461	2SK2459N-F54	F. E. T.	
Q2462-63	2SC1740S/QR/-T	SI. TRANSISTOR	
Q2464	2SA933AS/QR/-T	SI. TRANSISTOR	
Q2501	BSN304-T	F. E. T.	
Δ Q2521	2SC5552-RL	SI. TRANSISTOR	H. OUT
Q2581	2SA1208/ST/Z1-T	SI. TRANSISTOR	
Q2582	DTC144ESA-T	DIGI. TRANSISTOR	
Q2583	2SC1740S/QR/-T	SI. TRANSISTOR	
Q2941-42	2SC1740S/QR/-T	SI. TRANSISTOR	

<b>IC</b>			
IC2401	LA78041	I C	
IC2461	BA10393	I.C. (MONO-ANA)	
IC2551	BA12T	I.C. (MONO-ANA)	
IC2901	STR-F6667B/F7	I.C. (HYBRID)	
IC2931	STR-L472/F7	I C	
IC2951	SE140N	I.C. (HYBRID)	
IC2954	SI-8050S	I.C. (HYBRID)	
IC2955	SI-8033S/F1	I.C. (HYBRID)	

<b>OTHERS</b>			
CN2010	QGA2501C5-04Z	W TO B CONNE	
CN2014	QGA2501C5-06Z	EH POST HEADER	
CP2931	QMFZ043-2R0Z-J1	FUSE	
Δ CP2941	ICP-N25-Y	I.C. PROTECT	
Δ CP2954	ICP-N75-Y	I.C. PROTECT	
Δ LF2901	QQR1095-001	LINE FILTER	
Δ RY2931	QSK0099-001	RELAY	
Δ TH2901	QAD0133-9R0	PTC	
K2401	QQR0621-002Z	BEADS CORE	
K2522-24	CE41832-001	LEAD CORE	
K2901	QQR0679-001	FERRITE BEADS	
K2952	QQR0621-002Z	BEADS CORE	
K2953	QQR0621-002Z	BEADS CORE	
K2954	QQR0621-002Z	BEADS CORE	
Δ PC2901	PC123FY2	I.C. (PH. COUPLER)	
Δ PC2931	PC123FY2	I.C. (PH. COUPLER)	

**CRT SOCKET P.W. BOARD ASS'Y  
(SMF-3003A-U2)**

Symbol No.	Part No.	Part Name	Description
<b>RESISTOR</b>			
R3101	NRSA63J-123X	MG R	12kΩ 1/16W J
R3102	NRSA63J-681X	MG R	680Ω 1/16W J
R3103	NRSA63J-101X	MG R	100Ω 1/16W J
R3104	NRSA63J-472X	MG R	4.7kΩ 1/16W J
R3105	NRSA63J-102X	MG R	1kΩ 1/16W J
R3106	NRSA63J-221X	MG R	220Ω 1/16W J
R3107	NRSA63J-561X	MG R	560Ω 1/16W J
R3109	NRSA63J-153X	MG R	15kΩ 1/16W J
R3110	NRSA63J-222X	MG R	2.2kΩ 1/16W J
R3111	NRSA63J-182X	MG R	1.8kΩ 1/16W J
R3112	NRSA63J-272X	MG R	2.7kΩ 1/16W J
R3113	NRSA63J-331X	MG R	330Ω 1/16W J
R3114	NRSA63J-152X	MG R	1.5kΩ 1/16W J
R3115	NRSA63J-820X	MG R	82Ω 1/16W J
R3116	QRG01GJ-101	OM R	100Ω 1W J
R3117	NRSA63J-221X	MG R	220Ω 1/16W J
R3122	NRSA63J-122X	MG R	1.2kΩ 1/16W J
R3123	QRE121J-563Y	C R	56kΩ 1/2W J
R3124	NRSA63J-470X	MG R	47Ω 1/16W J
R3125	QRE121J-563Y	C R	56kΩ 1/2W J
R3126	NRSA63J-470X	MG R	47Ω 1/16W J
R3127	NRSA63J-122X	MG R	1.2kΩ 1/16W J
R3128	NRSA63J-390X	MG R	39Ω 1/16W J
R3129-30	QRE121J-2R7Y	C R	2.7Ω 1/2W J
R3131	NRSA63J-390X	MG R	39Ω 1/16W J
R3132	NRSA63J-121X	MG R	120Ω 1/16W J
R3133	QRL029J-391	OM R	390Ω 2W J
Δ R3134	QRZ9021-561	F R	560 Ω 1W J
R3204-06	NRSA63J-272X	MG R	2.7kΩ 1/16W J
R3211	NRSA63J-154X	MG R	150kΩ 1/16W J
R3223-25	NRSA63J-272X	MG R	2.7kΩ 1/16W J
R3227	NRSA63J-103X	MG R	10kΩ 1/16W J
R3228	NRSA63J-272X	MG R	2.7kΩ 1/16W J
R3229-31	QRL029J-104	OM R	100kΩ 2W J
R3232-34	NRSA63J-332X	MG R	3.3kΩ 1/16W J
R3235-37	QRC121K-152Z	COMP. R	1.5kΩ 1/2W K
R3239	QRZ0107-474Z	C R	470kΩ 1/2W K
R3241	QRZ0107-105Z	C R	1.0MΩ 1/2W K
R3242	NRSA63J-103X	MG R	10kΩ 1/16W J
R3244	NRSA63J-102X	MG R	1kΩ 1/16W J
R3245-47	NRSA63J-562X	MG R	5.6kΩ 1/16W J
R3301-02	QRE121J-474Y	C R	470kΩ 1/2W J
R3303-04	NRSA63J-223X	MG R	22kΩ 1/16W J
R3305	NRSA63J-562X	MG R	5.6kΩ 1/16W J
R3306	NRSA63J-392X	MG R	3.9kΩ 1/16W J
R3310	NRSA63J-0R0X	MG R	0.0Ω 1/16W J

<b>CAPACITOR</b>			
C3102	NDC31HJ-8R0X	C CAP.	8.0pF 50V J
C3103	NDC31HJ-151X	C CAP.	150pF 50V J
C3104	QCB31HK-103Z	C CAP.	0.01μF 50V K
C3106	QETN1HM-335Z	E CAP.	3.3μF 50V M
C3107	QETN1CM-107Z	E CAP.	100μF 16V M
C3110	QETN2CM-106Z	E CAP.	10μF 160V M
C3111	QCB32HK-472Z	C CAP.	4700pF 500V K
C3113	QETN2CM-106Z	E CAP.	10μF 160V M
C3114	QCB32HK-472Z	C CAP.	4700pF 500V K
C3116-17	QETN1AM-107Z	E CAP.	100μF 10V M
C3118	QETN1AM-337Z	E CAP.	330μF 10V M
C3120-21	NDC31HJ-221X	C CAP.	220pF 50V J
C3201-03	NDC31HJ-8R0X	C CAP.	8.0pF 50V J
C3204-06	NCF31CZ-104X	C CAP.	0.1μF 16V Z
C3207-09	QETN1EM-476Z	E CAP.	47μF 25V M
C3210-12	QFK62EK-104Z	MM CAP.	0.1μF 250V K
C3213-15	NDC31HJ-181X	C CAP.	180pF 50V J
C3216	QETN1CM-107Z	E CAP.	100μF 16V M
C3218	QETM2EM-336	E CAP.	33μF 250V M
C3219	QFZ0097-223	MM CAP.	0.022μF 1250V K
C3221	QETN2EM-106Z	E CAP.	10μF 250V M
C3302	QETN1AM-477Z	E CAP.	470μF 10V M

Symbol No.	Part No.	Part Name	Description
<b>COIL</b>			
L3101	QQL244K-5R6Z	COIL	5.6μH K
L3204	QQL26AJ-102Z	COIL	1mH J
<b>DIODE</b>			
D3101-02	MA111-X	SI. DIODE	
D3103	RH1S-T3	SI. DIODE	
D3104	RH1S-T3	SI. DIODE	
D3204-06	EU01N-T2	SI. DIODE	
D3208-10	1SR124-400A-T2	SI. DIODE	
D3211	MA3062/M/-X	ZENER DIODE	
D3301	MA111-X	SI. DIODE	
D3303	MA111-X	SI. DIODE	
<b>TRANSISTOR</b>			
Q3101	2SC2412K/QR/-X	SI. TRANSISTOR	
Q3102	2SA1037AK/QR/-X	SI. TRANSISTOR	
Q3103	2SC1906-T	SI. TRANSISTOR	
Q3104	2SC2412K/QR/-X	SI. TRANSISTOR	
Q3105	2SC1627A/OY/-T	SI. TRANSISTOR	
Q3108	2SA1837	SI. TRANSISTOR	
Q3109	2SC4793	SI. TRANSISTOR	
Q3301	2SA1037AK/QR/-X	SI. TRANSISTOR	
<b>IC</b>			
IC3201-03	TDA6111Q	I. C. (MONO-ANA)	
<b>OTHERS</b>			
K3101	CE41492-001Z	CHOKE COIL	
K3103-04	CE41492-001Z	CHOKE COIL	
K3105	QQR0621-002Z	BEADS CORE	
SK3001	QNZ0380-001	C. R. T. SOCKET	

## FRONT CONTROL P.W. BOARD ASS'Y (SMF-8006A-U2)

Symbol No.	Part No.	Part Name	Description
<b>RESISTOR</b>			
R8001-02	QRE121J-271Y	C R	270Ω 1/2W J
R8003	NRSA63J-102X	MG R	1kΩ 1/16W J
R8004	NRSA63J-222X	MG R	2.2kΩ 1/16W J
R8005	NRSA63J-221X	MG R	220Ω 1/16W J
R8006	NRSA63J-182X	MG R	1.8kΩ 1/16W J
R8008	NRSA63J-102X	MG R	1kΩ 1/16W J
R8010	NRSA63J-103X	MG R	10kΩ 1/16W J
R8012-13	NRSA63J-103X	MG R	10kΩ 1/16W J
R8020	NRSA63J-822X	MG R	8.2kΩ 1/16W J
R8021-22	NRSA63J-102X	MG R	1kΩ 1/16W J
R8035	QRE121J-151Y	C R	150Ω 1/2W J
R8036-37	NRSA63J-561X	MG R	560Ω 1/16W J
R8038	NRSA63J-182X	MG R	1.8kΩ 1/16W J
R8039	NRSA63J-331X	MG R	330Ω 1/16W J
<b>CAPACITOR</b>			
C8001-02	NCB31HK-103X	C CAP.	0.01μF 50V K
C8003	QETN1HM-106Z	E CAP.	10μF 50V M
C8004	NCB31CK-104X	CHIP CAP.	0.1μF 16V K
C8005	NDC31HJ-680X	C CAP.	680pF 50V J
C8010-11	NCB31HK-472X	C CAP.	4700pF 50V K
C8019	QETN1CM-107Z	E CAP.	100μF 16V M
C8021	NCB31CK-104X	CHIP CAP.	0.1μF 16V K
C8022	QETN1EM-476Z	E CAP.	47μF 25V M
△ C8901	QFZ9040-474	MF CAP.	0.47μFAC275V M
<b>COIL</b>			
L8001	QQR0716-001Z	LEAD CORE	
L8002-03	QQL244K-5R6Z	COIL	5.6μH K
L8010-11	QQL244K-270Z	PEAKING COIL	
L8012	QQR0716-001Z	LEAD CORE	
LC8002	NQR0169-001X	EMI FILTER	
<b>DIODE</b>			
D8007	P1241-04	C. D. S.	
D8008	MA111-X	SI. DIODE	
D8009	SLR-342MG-T16	L. E. D. (GRN)	
D8010	SPR-39MVF	L. E. D.	
D8011	MA111-X	SI. DIODE	
D8012	SLR-342DU-T16	L. E. D. (ORG)	
D8013	SLR-342YY-T16	L. E. D. (YLN)	
D8014	MA3068/M/-X	ZENER DIODE	
D8018	MA3033-X	ZENER DIODE	
<b>TRANSISTOR</b>			
Q8001	2SA1037AK/QR/-X	SI. TRANSISTOR	
Q8002	DTC124EKA-X	DIGI. TRANSISTOR	
Q8003-04	DTA124EKA-X	DIGI. TRANSISTOR	
Q8005-07	DTC124EKA-X	DIGI. TRANSISTOR	
<b>IC</b>			
IC8001	GP1U281Q	IFR DETECT UNIT	
<b>OTHERS</b>			
△	CEMG002-001Z	FUSE CLIP	
	LC30596-001B-C	L. E. D. HOLDER	
	CM35921-005-H	CDS HOLDER	
△ F8901	QMF5102-3R15J1	FUSE	3.15A
△ LF8901	QQR1095-001	LINE FILTER	
J8001	QMS3004-C01	HEADPHONE JACK	
J8003	QNZ0453-001	JACK	
S8001	QSW0619-003Z	PUSH SWITCH	MENU
S8002	QSW0619-003Z	PUSH SWITCH	CH DOWN
S8003	QSW0619-003Z	PUSH SWITCH	CH UP
△ S8901	QSW0824-001	PUSH SWITCH	MAIN POWER

■ MICON P.W. BOARD ASS'Y  
(SMF0M001A-U2)

△ Symbol No.	Part No.	Part Name	Description
<b>RESISTOR</b>			
R0001	NRSA63J-102X	MG R	1kΩ 1/16W J
R0002	NRSA63J-104X	MG R	100kΩ 1/16W J
R0003-05	NRSA63J-102X	MG R	1kΩ 1/16W J
R0006	NRSA63J-152X	MG R	1.5kΩ 1/16W J
R0007-08	NRSA63J-102X	MG R	1kΩ 1/16W J
R0009-11	NRSA63J-103X	MG R	10kΩ 1/16W J
R0012	NRSA63J-273X	MG R	27kΩ 1/16W J
R0013	NRSA63J-221X	MG R	220Ω 1/16W J
R0014	NRSA63J-102X	MG R	1kΩ 1/16W J
R0015	NRSA63J-473X	MG R	47kΩ 1/16W J
R0016-17	NRSA63J-103X	MG R	10kΩ 1/16W J
R0018-21	NRSA63J-102X	MG R	1kΩ 1/16W J
R0022	NRSA63J-472X	MG R	4.7kΩ 1/16W J
R0024	NRSA63J-472X	MG R	4.7kΩ 1/16W J
R0027	NRSA63J-472X	MG R	4.7kΩ 1/16W J
R0030	NRSA63J-472X	MG R	4.7kΩ 1/16W J
R0032	NRSA63J-472X	MG R	4.7kΩ 1/16W J
R0034-53	NRSA63J-0R0X	MG R	0.0Ω 1/16W J
R0055-77	NRSA63J-0R0X	MG R	0.0Ω 1/16W J
R0087	NRSA63J-221X	MG R	220Ω 1/16W J
R0089-91	NRSA63J-221X	MG R	220Ω 1/16W J
R0092	NRSA63J-472X	MG R	4.7kΩ 1/16W J
R0093	NRSA63J-221X	MG R	220Ω 1/16W J
R0094	NRSA63J-472X	MG R	4.7kΩ 1/16W J
R0095	NRSA63J-473X	MG R	47kΩ 1/16W J
R0096	NRSA63J-221X	MG R	220Ω 1/16W J
R0097	NRSA63J-102X	MG R	1kΩ 1/16W J
R0098	NRSA63J-0R0X	MG R	0.0Ω 1/16W J
R0099	NRSA63J-102X	MG R	1kΩ 1/16W J
R0100-02	NRSA63J-102X	MG R	1kΩ 1/16W J
R0103-06	NRSA63J-103X	MG R	10kΩ 1/16W J
R0107	NRSA63J-102X	MG R	1kΩ 1/16W J
R0110	NRSA63J-102X	MG R	1kΩ 1/16W J
R0111	NRSA63J-103X	MG R	10kΩ 1/16W J
R0112	NRSA63J-102X	MG R	1kΩ 1/16W J
R0113-14	NRSA63J-103X	MG R	10kΩ 1/16W J
R0119	NRSA63J-563X	MG R	56kΩ 1/16W J
R0120	NRSA63J-332X	MG R	3.3kΩ 1/16W J
R0121	NRSA63J-182X	MG R	1.8kΩ 1/16W J
R0122	NRSA63J-103X	MG R	10kΩ 1/16W J
R0123	NRSA63J-682X	MG R	6.8kΩ 1/16W J
R0124	NRSA63J-101X	MG R	100Ω 1/16W J
R0125-28	NRSA63J-472X	MG R	4.7kΩ 1/16W J
R0129	NRSA63J-823X	MG R	82kΩ 1/16W J
R0130	NRSA63J-104X	MG R	100kΩ 1/16W J
R0131	NRSA63J-0R0X	MG R	0.0Ω 1/16W J
R0133	NRSA63J-0R0X	MG R	0.0Ω 1/16W J
R0135	NRSA63J-102X	MG R	1kΩ 1/16W J
R0136	NRSA63J-103X	MG R	10kΩ 1/16W J
R0137-39	NRSA63J-222X	MG R	2.2kΩ 1/16W J
R0144	NRSA63J-103X	MG R	10kΩ 1/16W J
R0147	NRSA63J-472X	MG R	4.7kΩ 1/16W J
R0151	NRSA63J-183X	MG R	18kΩ 1/16W J
R0152-54	NRSA63J-221X	MG R	220Ω 1/16W J
R0155-56	NRSA63J-101X	MG R	100Ω 1/16W J
R0157	NRSA63J-0R0X	MG R	0.0Ω 1/16W J
R0158	NRSA63J-221X	MG R	220Ω 1/16W J
R0161	NRSA63J-102X	MG R	1kΩ 1/16W J
R0162	NRSA63J-153X	MG R	15kΩ 1/16W J
R0163	NRSA63J-682X	MG R	6.8kΩ 1/16W J
<b>CAPACITOR</b>			
C0001	QETNOJH-477Z	E CAP.	470μF 6.3V M
C0002	NCF31CZ-104X	C CAP.	0.1μF 16V Z
C0003	NCB11CK-225X	CHIP CAP.	2.2μF 16V K
C0004	QETNOJH-477Z	E CAP.	470μF 6.3V M
C0005-06	NCB11CK-225X	CHIP CAP.	2.2μF 16V K
C0007	NEH71CM-476X	E CAP.	47μF 16V M
C0008	NCB11CK-225X	CHIP CAP.	2.2μF 16V K
C0012-13	NCF31CZ-104X	C CAP.	0.1μF 16V Z

△ Symbol No.	Part No.	Part Name	Description
<b>CAPACITOR</b>			
C0014	NCB31HK-682X	CHIP CAP.	6800pF 50V K
C0017	NDC31HJ-150X	C CAP.	150pF 50V J
C0019	NEH71CM-476X	E CAP.	47μF 16V M
C0020	NCF31CZ-104X	C CAP.	0.1μF 16V Z
C0021	NEH71CM-476X	E CAP.	47μF 16V M
C0022	NCF31AZ-105X	C CAP.	1μF 10V Z
C0023	NCB31EK-333X	CHIP CAP.	0.033μF 25V K
C0024	NCF31CZ-104X	C CAP.	0.1μF 16V Z
C0027-28	NEH71CM-476X	E CAP.	47μF 16V M
C0029	NDC31HJ-151X	C CAP.	150pF 50V J
C0030-32	NCF31CZ-104X	C CAP.	0.1μF 16V Z
C0034-39	NCF31CZ-104X	C CAP.	0.1μF 16V Z
C0040-41	NDC31HJ-330X	C CAP.	330pF 50V J
C0042-43	NCF31CZ-104X	C CAP.	0.1μF 16V Z
C0045-47	NCF31CZ-104X	C CAP.	0.1μF 16V Z
C0048	NEH71CM-476X	E CAP.	47μF 16V M
C0049-50	NCF31CZ-104X	C CAP.	0.1μF 16V Z
C0051	NEH71CM-476X	E CAP.	47μF 16V M
C0052-57	NCF31CZ-104X	C CAP.	0.1μF 16V Z
C0059-61	NEH71CM-106X	E CAP.	10μF 16V M
C0062	NCF31CZ-104X	C CAP.	0.1μF 16V Z
C0063-65	NDC31HJ-820X	C CAP.	820pF 50V J
C0070	NEH71HM-225X	E CAP.	2.2μF 50V M
<b>COIL</b>			
L0001	NQL092K-4R7X	CHIP INDUCTOR	
L0003	NQL092K-4R7X	CHIP INDUCTOR	
L0005-08	NQL092K-4R7X	CHIP INDUCTOR	
L0009	NQL034K-4R7X	CHIP INDUCTOR	
L0010-14	NQL092K-4R7X	CHIP INDUCTOR	
L0015-16	NQL034K-4R7X	CHIP INDUCTOR	
L0017-22	NQL092K-1R5X	CHIP INDUCTOR	
<b>DIODE</b>			
D0001-02	MA111-X	SI DIODE	
D0003	MA3068/M/-X	ZENER DIODE	
D0004	MA3027-X	ZENER DIODE	
D0005-08	MA3056/M/-X	ZENER DIODE	
D0010	MA3068/M/-X	ZENER DIODE	
<b>TRANSISTOR</b>			
Q0001-02	2SC2712/YG/-X	SI TRANSISTOR	
Q0007-08	2SA1162/YG/-X	SI TRANSISTOR	
Q0009-12	2SC2712/YG/-X	SI TRANSISTOR	
<b>IC</b>			
IC0001	SDA6000	I C	
IC0003	K4S161622D-TC80	I.C. (D-RAM)	
IC0004	AT24C32-28L2EU	I. C.	(SERVICE)
IC0005	S-80828ANNP-W	I C	
IC0012	MX2311610TC1001	I C	
IC0901	TA48M025F-X	I.C. (M)	
IC0902	TA48M033F-X	I.C. (M)	
IC0903	MM1437AF-X	I. C. (MONO-ANA)	
<b>OTHERS</b>			
CN0001	CM42856-001	EP ROM SEAL	
LC0001	QGB1505K1-50	CONNECTOR	
LC0002	NQR0313-007X	EMI FILTER	
K0001	NQR0431-001X	EMI FILTER	
X0002-05	NQR0360-002X	FERRITE BEADS	
X0001	NQR0389-003X	FERRITE BEADS	
	QAX0669-001Z	XTAL	

**AV SW P.W. BOARD ASS'Y  
(SMF0S002A-U2)**

Symbol No.	Part No.	Part Name	Description
<b>RESISTOR</b>			
R0101-09	NRSA63J-750X	MG R	75Ω 1/16W J
R0110-11	NRSA63J-103X	MG R	10kΩ 1/16W J
R0112-13	NRSA63J-823X	MG R	82kΩ 1/16W J
R0114	NRSA63J-333X	MG R	33kΩ 1/16W J
R0115	NRSA63J-473X	MG R	47kΩ 1/16W J
R0116	NRSA63J-823X	MG R	82kΩ 1/16W J
R0117	NRSA63J-223X	MG R	22kΩ 1/16W J
R0118	NRSA63J-473X	MG R	47kΩ 1/16W J
R0119	NRSA63J-153X	MG R	15kΩ 1/16W J
R0120	NRSA63J-273X	MG R	27kΩ 1/16W J
R0121	NRSA63J-222X	MG R	2.2kΩ 1/16W J
R0122	NRSA63J-473X	MG R	47kΩ 1/16W J
R0123	NRSA63J-823X	MG R	82kΩ 1/16W J
R0124	NRSA63J-153X	MG R	15kΩ 1/16W J
R0125	NRSA63J-223X	MG R	22kΩ 1/16W J
R0126	NRSA63J-473X	MG R	47kΩ 1/16W J
R0127	NRSA63J-273X	MG R	27kΩ 1/16W J
R0128-29	NRSA63J-823X	MG R	82kΩ 1/16W J
R0130-31	NRSA63J-391X	MG R	390Ω 1/16W J
R0132	NRSA63J-222X	MG R	2.2kΩ 1/16W J
R0133	NRSA63J-333X	MG R	33kΩ 1/16W J
R0134	NRSA63J-222X	MG R	2.2kΩ 1/16W J
R0135	NRSA63J-333X	MG R	33kΩ 1/16W J
R0136	NRSA63J-103X	MG R	10kΩ 1/16W J
R0137	NRSA63J-222X	MG R	2.2kΩ 1/16W J
R0138-39	NRSA63J-333X	MG R	33kΩ 1/16W J
R0140	NRSA63J-222X	MG R	2.2kΩ 1/16W J
R0141	NRSA63J-333X	MG R	33kΩ 1/16W J
R0142	NRSA63J-222X	MG R	2.2kΩ 1/16W J
R0143-44	NRSA63J-333X	MG R	33kΩ 1/16W J
R0145	NRSA63J-103X	MG R	10kΩ 1/16W J
R0146	NRSA63J-473X	MG R	47kΩ 1/16W J
R0147	NRSA63J-223X	MG R	22kΩ 1/16W J
R0148-49	NRSA63J-391X	MG R	390Ω 1/16W J
R0150-51	NRSA63J-104X	MG R	100kΩ 1/16W J
R0152-67	NRSA63J-101X	MG R	100Ω 1/16W J
R0168	NRSA63J-750X	MG R	75Ω 1/16W J
R0169	NRSA63J-222X	MG R	2.2kΩ 1/16W J
R0170	NRSA63J-333X	MG R	33kΩ 1/16W J
R0171	NRSA63J-750X	MG R	75Ω 1/16W J
R0172	NRSA63J-222X	MG R	2.2kΩ 1/16W J
R0173	NRSA63J-333X	MG R	33kΩ 1/16W J
R0174	NRSA63J-750X	MG R	75Ω 1/16W J
R0175	NRSA63J-333X	MG R	33kΩ 1/16W J
R0176	NRSA63J-103X	MG R	10kΩ 1/16W J
R0177	NRSA63J-823X	MG R	82kΩ 1/16W J
R0178	NRSA63J-153X	MG R	15kΩ 1/16W J
R0179	NRSA63J-473X	MG R	47kΩ 1/16W J
R0180	NRSA63J-273X	MG R	27kΩ 1/16W J
R0181-82	NRSA63J-562X	MG R	5.6kΩ 1/16W J
R0183-84	NRSA63J-102X	MG R	1kΩ 1/16W J
R0185-90	NRSA63J-101X	MG R	100Ω 1/16W J
R0191	NRSA63J-222X	MG R	2.2kΩ 1/16W J
R0192	NRSA63J-101X	MG R	100Ω 1/16W J
R0194-95	NRSA63J-221X	MG R	220Ω 1/16W J
R0196	QRG01GJ-101	OM R	100Ω 1W J
R0197	QRK126J-181X	C R	180Ω 1/2W J
R0198	NRSA63J-750X	MG R	75Ω 1/16W J
R0199	NRSA63J-101X	MG R	100Ω 1/16W J
R0200	NRSA63J-750X	MG R	75Ω 1/16W J
R0201	QRK126J-151X	C R	150Ω 1/2W J
R0203-05	NRSA63J-750X	MG R	75Ω 1/16W J

**CAPACITOR**

C0101-10	NCB31HK-472X	C CAP.	4700pF 50V K
C0111-12	QETN1CM-477Z	E CAP.	470μF 16V M
C0113-14	NCB31HK-102X	C CAP.	1000pF 50V K
C0115-17	QETN1HM-106Z	E CAP.	10μF 50V M
C0118-19	QETN1HM-105Z	E CAP.	1μF 50V M
C0120	NCB31HK-103X	C CAP.	0.01μF 50V K
C0121	QETN1HM-105Z	E CAP.	1μF 50V M

Symbol No.	Part No.	Part Name	Description
------------	----------	-----------	-------------

**CAPACITOR**

C0122	QETN1HM-106Z	E CAP.	10μF 50V M
C0123	QETN1HM-105Z	E CAP.	1μF 50V M
C0124	NCB31HK-103X	C CAP.	0.01μF 50V K
C0125	NCB31HK-102X	C CAP.	1000pF 50V K
C0126-28	QETN1HM-106Z	E CAP.	10μF 50V M
C0129	QETN1HM-105Z	E CAP.	1μF 50V M
C0130	NCB31HK-103X	C CAP.	0.01μF 50V K
C0131	QETN1HM-105Z	E CAP.	1μF 50V M
C0132	NCB31HK-103X	C CAP.	0.01μF 50V K
C0133	QETN1HM-106Z	E CAP.	10μF 50V M
C0134	QETN1HM-105Z	E CAP.	1μF 50V M
C0135	QETN1HM-106Z	E CAP.	10μF 50V M
C0136	QETN1HM-105Z	E CAP.	1μF 50V M
C0137	NCB31HK-103X	C CAP.	0.01μF 50V K
C0138-39	QENC1HM-105Z	BP E CAP.	1μF 50V M
C0140	QENC1EM-106Z	BP E CAP.	10μF 25V M
C0141-47	NCB31HK-103X	C CAP.	0.01μF 50V K
C0148	QETN1HM-106Z	E CAP.	10μF 50V M
C0149	QENC1EM-106Z	BP E CAP.	10μF 25V M
C0150-51	QETN1CM-107Z	E CAP.	100μF 16V M
C0152	QETN1CM-477Z	E CAP.	470μF 16V M
C0153	NCB31HK-103X	C CAP.	0.01μF 50V K
C0154	QETN1CM-107Z	E CAP.	100μF 16V M
C0155	NDC31HJ-150X	C CAP.	15pF 50V J

**COIL**

L0101	QQR0716-001Z	LEAD CORE
-------	--------------	-----------

**DIODE**

D0101-04	MA3056/M/-X	ZENER DIODE
D0109-13	MA3120/M/-X	ZENER DIODE
D0114	MA3039/H/-X	ZENER DIODE
D0115-17	MA3056/M/-X	ZENER DIODE

**TRANSISTOR**

Q0101-02	2SC2412K/QR/-X	SI TRANSISTOR
Q0103-05	DTC323TK-X	DIGI. TRANSISTOR
Q0106-09	2SC2412K/QR/-X	SI TRANSISTOR
Q0110	2SA1037AK/QR/-X	SI TRANSISTOR
Q0111	DTC323TK-X	DIGI. TRANSISTOR
Q0112	2SA1037AK/QR/-X	SI TRANSISTOR
Q0113-15	2SC2412K/QR/-X	SI TRANSISTOR
Q0116	2SA933AS/QR/-T	SI TRANSISTOR
Q0117	2SC1740S/QR/-T	SI TRANSISTOR

**IC**

IC0101	CXA2069Q	I C
--------	----------	-----

**OTHERS**

CN0001	QGB1505K1-50	CONNECTOR
J0001	QNZ0465-001	PIN CONNECTOR
J0002	QNZ0463-001	PIN CONNECTOR
K0101-04	CE42681-001Y	BEADS CORE

### ■ 100Hz P.W. BOARD ASS'Y (SMF0Z004A-U2)

△ Symbol No.	Part No.	Part Name	Description
--------------	----------	-----------	-------------

#### RESISTOR

R0001-06	NRSA63J-0ROX	MG R	0.0Ω 1/16W J
R0008-09	NRSA63J-0ROX	MG R	0.0Ω 1/16W J
R0010-12	NRSA63J-101X	MG R	100Ω 1/16W J
R0101	NRSA63J-332X	MG R	3.3kΩ 1/16W J
R0102-03	NRSA63J-222X	MG R	2.2kΩ 1/16W J
R0104	NRSA63J-332X	MG R	3.3kΩ 1/16W J
R0105-06	NRSA63J-222X	MG R	2.2kΩ 1/16W J
R0107-13	NRSA63J-750X	MG R	75Ω 1/16W J
R0122-23	NRSA63J-0ROX	MG R	0.0Ω 1/16W J
R0124-25	NRSA63J-101X	MG R	100Ω 1/16W J
R0132-39	NRSA63J-100X	MG R	10Ω 1/16W J
R0141	NRSA63J-100X	MG R	10Ω 1/16W J
R0201	NRSA63J-121X	MG R	120Ω 1/16W J
R0202-03	NRSA63J-101X	MG R	100Ω 1/16W J
R0204-05	NRSA63J-0ROX	MG R	0.0Ω 1/16W J
R0214	NRSA63J-0ROX	MG R	0.0Ω 1/16W J
R0217	NRSA63J-103X	MG R	10kΩ 1/16W J
R0218	NRSA63J-333X	MG R	33kΩ 1/16W J
R0219	NRSA63J-103X	MG R	10kΩ 1/16W J
R0220	NRSA63J-822X	MG R	8.2kΩ 1/16W J
R0223	NRSA63J-473X	MG R	47kΩ 1/16W J
R0225	NRSA63J-0ROX	MG R	0.0Ω 1/16W J
R0251	NRSA63J-222X	MG R	2.2kΩ 1/16W J
R0252	NRSA63J-750X	MG R	75Ω 1/16W J
R0254	NRSA63J-391X	MG R	390Ω 1/16W J
R0255-56	NRSA63J-221X	MG R	220Ω 1/16W J
R0257	NRSA63J-271X	MG R	270Ω 1/16W J
R0258	NRSA63J-272X	MG R	2.7kΩ 1/16W J
R0259	NRSA63J-472X	MG R	4.7kΩ 1/16W J
R0261	NRSA63J-222X	MG R	2.2kΩ 1/16W J
R0264	NRSA63J-391X	MG R	390Ω 1/16W J
R0271	NRSA63J-222X	MG R	2.2kΩ 1/16W J
R0274	NRSA63J-391X	MG R	390Ω 1/16W J
R0301-03	NRSA63J-104X	MG R	100kΩ 1/16W J
R0304-05	NRSA63J-101X	MG R	100Ω 1/16W J
R0306-08	NRSA63J-152X	MG R	1.5kΩ 1/16W J
R0401	NRSA63J-473X	MG R	47kΩ 1/16W J
R0402	NRSA63J-472X	MG R	4.7kΩ 1/16W J
R0404	NRSA63J-0ROX	MG R	0.0Ω 1/16W J
R0407	NRSA63J-0ROX	MG R	0.0Ω 1/16W J
R0409	NRSA63J-0ROX	MG R	0.0Ω 1/16W J

#### CAPACITOR

C0001	NCB31CK-104X	CHIP CAP.	0.1μF 16V K
C0002	NEH71CM-476X	E CAP.	47μF 16V M
C0003	NCB31CK-104X	CHIP CAP.	0.1μF 16V K
C0004	NEH71CM-476X	E CAP.	47μF 16V M
C0005	NCB31CK-104X	CHIP CAP.	0.1μF 16V K
C0006	NEH71CM-476X	E CAP.	47μF 16V M
C0007-09	NDC31HJ-4ROX	C CAP.	4.0pF 50V J
C0101	NEH71CM-106X	E CAP.	10μF 16V M
C0102	NCB31EK-473X	CHIP CAP.	0.047μF 25V K
C0103	NEH71CM-476X	E CAP.	47μF 16V M
C0104	NCB31HK-152X	CHIP CAP.	1500pF 50V K
C0105	NDC31HJ-102X	C CAP.	1000pF 50V J
C0106	NCB31CK-104X	CHIP CAP.	0.1μF 16V K
C0107	NCF31CZ-224X	C CAP.	0.22μF 16V Z
C0108	NCB31HK-152X	CHIP CAP.	1500pF 50V K
C0109	NDC31HJ-391X	C CAP.	390pF 50V J
C0110	NEH71CM-106X	E CAP.	10μF 16V M
C0111	NCB31EK-473X	CHIP CAP.	0.047μF 25V K
C0112	NDC31HJ-331X	C CAP.	330pF 50V J
C0113-18	NCF31CZ-224X	C CAP.	0.22μF 16V Z
C0119-24	NDC31HJ-331X	C CAP.	330pF 50V J
C0125-26	NDC31HJ-3ROX	C CAP.	3.0pF 50V J
C0128	NCB31CK-104X	CHIP CAP.	0.1μF 16V K
C0129	NCF31CZ-224X	C CAP.	0.22μF 16V Z
C0130	NDC31HJ-391X	C CAP.	390pF 50V J
C0131	NCB31HK-152X	CHIP CAP.	1500pF 50V K
C0132	NCB31EK-473X	CHIP CAP.	0.047μF 25V K
C0133	NCB31HK-152X	CHIP CAP.	1500pF 50V K
C0134	NCB31CK-683X	CHIP CAP.	0.068μF 16V K
C0136-37	NCB31CK-683X	CHIP CAP.	0.068μF 16V K

△ Symbol No.	Part No.	Part Name	Description
--------------	----------	-----------	-------------

#### CAPACITOR

C0138	NCB31HK-152X	CHIP CAP.	1500pF 50V K
C0139	NCB31EK-473X	CHIP CAP.	0.047μF 25V K
C0140	NEH71CM-476X	E CAP.	47μF 16V M
C0185-86	NCB31CK-104X	CHIP CAP.	0.1μF 16V K
C0201	NEH71CM-476X	E CAP.	47μF 16V M
C0202-05	NCB31CK-104X	CHIP CAP.	0.1μF 16V K
C0206	NEH71CM-476X	E CAP.	47μF 16V M
C0207-11	NCB31CK-104X	CHIP CAP.	0.1μF 16V K
C0212-13	NDC31HJ-180X	C CAP.	18pF 50V J
C0214-17	NCB31CK-104X	CHIP CAP.	0.1μF 16V K
C0218	NDC31HJ-561X	C CAP.	560pF 50V J
C0219	NEH71CM-476X	E CAP.	47μF 16V M
C0220-35	NCB31CK-104X	CHIP CAP.	0.1μF 16V K
C0237-38	NEH71CM-106X	E CAP.	10μF 16V M
C0239-42	NCB31CK-104X	CHIP CAP.	0.1μF 16V K
C0251	NDC31HJ-4ROX	C CAP.	4.0pF 50V J
C0252-53	NCB31CK-104X	CHIP CAP.	0.1μF 16V K
C0254	NDC31HJ-120X	C CAP.	12pF 50V J
C0255	NDC31HJ-270X	C CAP.	27pF 50V J
C0256	NEH71CM-106X	E CAP.	10μF 16V M
C0261	NDC31HJ-4ROX	C CAP.	4.0pF 50V J
C0262-63	NCB31CK-104X	CHIP CAP.	0.1μF 16V K
C0264	NDC31HJ-120X	C CAP.	12pF 50V J
C0265	NDC31HJ-270X	C CAP.	27pF 50V J
C0271	NDC31HJ-4ROX	C CAP.	4.0pF 50V J
C0272-73	NCB31CK-104X	CHIP CAP.	0.1μF 16V K
C0274	NDC31HJ-120X	C CAP.	12pF 50V J
C0275	NDC31HJ-270X	C CAP.	27pF 50V J
C0301	NEH71CM-476X	E CAP.	47μF 16V M
C0302-03	NCB31CK-104X	CHIP CAP.	0.1μF 16V K
C0402-03	NCB31CK-104X	CHIP CAP.	0.1μF 16V K
C0404	NDC31HJ-330X	C CAP.	33pF 50V J

#### COIL

L0001-03	NQL092K-1R5X	CHIP INDUCTOR	
L0101	NQL034K-150X	CHIP INDUCTOR	
L0102-08	NQL092K-3R3X	CHIP INDUCTOR	
L0109	NQL034K-6R8X	CHIP INDUCTOR	
L0201-03	NQL034K-100X	CHIP INDUCTOR	
L0204	QQL244K-4R7Z	COIL	4.7μH K
L0205-08	NQL034K-100X	CHIP INDUCTOR	
L0209-10	NQL092K-1R5X	CHIP INDUCTOR	
L0251	NQL092K-5R6X	CHIP INDUCTOR	
L0261	NQL092K-5R6X	CHIP INDUCTOR	
L0271	NQL092K-5R6X	CHIP INDUCTOR	
LC0010-12	NQR0313-009X	EMI FILTER	
LC0013	NQR0313-004X	EMI FILTER	
LC0014-15	NQR0313-007X	EMI FILTER	

#### DIODE

D0401	MA111-X	SI. DIODE
-------	---------	-----------

#### TRANSISTOR

Q0101-02	2SA1037AK/QR/-X	SI. TRANSISTOR
Q0201	2SA1037AK/QR/-X	SI. TRANSISTOR
Q0251-52	2SA1037AK/QR/-X	SI. TRANSISTOR
Q0253	2SC2412K/QR/-X	SI. TRANSISTOR
Q0261	2SA1037AK/QR/-X	SI. TRANSISTOR
Q0271	2SA1037AK/QR/-X	SI. TRANSISTOR
Q0301-03	2SC2412K/QR/-X	SI. TRANSISTOR

#### IC

IC0101	VPC3230D-QA-B3	I C
IC0201	SAA4979H/V1	I C
IC0202	OM4994H	I C
IC0203	SAA4955HL/V1	I C
IC0301	TDA9178T/N1-X	I C
IC0401	S-80828ANNP-W	I C
IC0402	TC7WH34FU-X	I C

#### OTHERS

CN0003	QGB1505K1-50	CONNECTOR
X0101	QAX0655-001Z	XTAL
X0201	QAX0273-001Z	CRYSTAL



# AV28X10EUS / AV28X10EIS

## PRINTED WIRING BOARD PARTS LIST

### ■ MAIN P.W. BOARD ASS'Y (SMF-1007A-U2)

△ Symbol No.	Part No.	Part Name	Description
<b>RESISTOR</b>			
R1004-05	NRSA63J-101X	MG R	100Ω 1/16W J
R1008-09	NRSA63J-080X	MG R	0.08Ω 1/16W J
R1101	NRSA63J-102X	MG R	1kΩ 1/16W J
R1102	NRSA63J-181X	MG R	180Ω 1/16W J
R1103	NRSA63J-222X	MG R	2.2kΩ 1/16W J
R1104	NRSA63J-102X	MG R	1kΩ 1/16W J
R1105	NRSA63J-331X	MG R	330Ω 1/16W J
R1106	NRSA63J-270X	MG R	27Ω 1/16W J
R1107	NRSA63J-271X	MG R	270Ω 1/16W J
R1108	NRSA63J-102X	MG R	1kΩ 1/16W J
R1109-11	NRSA63J-101X	MG R	100Ω 1/16W J
R1151	NRSA63J-101X	MG R	100Ω 1/16W J
R1153	NRSA63J-101X	MG R	100Ω 1/16W J
R1156	NRSA63J-080X	MG R	0.08Ω 1/16W J
R1158-59	NRSA63J-080X	MG R	0.08Ω 1/16W J
R1161	NRSA63J-080X	MG R	0.08Ω 1/16W J
R1301-02	NRSA63J-101X	MG R	100Ω 1/16W J
R1303	NRSA63J-273X	MG R	27kΩ 1/16W J
R1304	NRSA63J-080X	MG R	0.08Ω 1/16W J
R1311	NRSA63J-331X	MG R	330Ω 1/16W J
R1312	NRSA63J-273X	MG R	27kΩ 1/16W J
R1313	NRSA63J-183X	MG R	18kΩ 1/16W J
R1314	NRSA63J-221X	MG R	220Ω 1/16W J
R1315-17	NRSA63J-101X	MG R	100Ω 1/16W J
R1318	NRSA63J-562X	MG R	5.6kΩ 1/16W J
R1319	NRSA63J-183X	MG R	18kΩ 1/16W J
R1321-22	NRSA63J-080X	MG R	0.08Ω 1/16W J
R1401-02	NRSA63J-102X	MG R	1kΩ 1/16W J
R1403-04	NRSA63J-331X	MG R	330Ω 1/16W J
R1405-06	NRSA63J-102X	MG R	1kΩ 1/16W J
R1451	NRSA63J-821X	MG R	820Ω 1/16W J
R1454	NRSA63J-472X	MG R	4.7kΩ 1/16W J
R1455-56	NRSA63J-123X	MG R	12kΩ 1/16W J
R1457	NRSA63J-392X	MG R	3.9kΩ 1/16W J
R1458	NRSA63J-123X	MG R	12kΩ 1/16W J
R1459	NRSA63J-472X	MG R	4.7kΩ 1/16W J
R1461	NRSA63J-123X	MG R	12kΩ 1/16W J
R1462	NRSA63J-153X	MG R	15kΩ 1/16W J
R1463	NRSA63J-104X	MG R	100kΩ 1/16W J
R1465-66	NRSA63J-224X	MG R	220kΩ 1/16W J
R1467	NRSA63J-563X	MG R	56kΩ 1/16W J
R1468	NRSA63J-224X	MG R	220kΩ 1/16W J
R1469	NRSA63J-683X	MG R	68kΩ 1/16W J
R1470	NRSA63J-223X	MG R	22kΩ 1/16W J
R1471	NRSA63J-273X	MG R	27kΩ 1/16W J
R1472	NRSA63J-682X	MG R	6.8kΩ 1/16W J
R1473	NRSA63J-123X	MG R	12kΩ 1/16W J
R1474	NRSA63J-563X	MG R	56kΩ 1/16W J
R1475	NRSA63J-153X	MG R	15kΩ 1/16W J
R1476-78	NRSA63J-123X	MG R	12kΩ 1/16W J
R1479	NRSA63J-154X	MG R	150kΩ 1/16W J
R1480	NRSA63J-823X	MG R	82kΩ 1/16W J
R1481	NRSA63J-472X	MG R	4.7kΩ 1/16W J
R1482	NRSA63J-272X	MG R	2.7kΩ 1/16W J
R1483	NRSA63J-472X	MG R	4.7kΩ 1/16W J
R1484	NRSA63J-473X	MG R	47kΩ 1/16W J
R1485	NRSA63J-123X	MG R	12kΩ 1/16W J
R1486	NRSA63J-472X	MG R	4.7kΩ 1/16W J
R1487	NRSA63J-183X	MG R	18kΩ 1/16W J
R1489	NRSA63J-333X	MG R	33kΩ 1/16W J
R1491	NRSA63J-332X	MG R	3.3kΩ 1/16W J
R1492	NRSA63J-562X	MG R	5.6kΩ 1/16W J
R1501	NRSA63J-080X	MG R	0.08Ω 1/16W J
R1504	NRSA63J-102X	MG R	1kΩ 1/16W J
R1511	NRSA63J-152X	MG R	1.5kΩ 1/16W J
R1512	NRSA63J-332X	MG R	3.3kΩ 1/16W J

△ Symbol No.	Part No.	Part Name	Description
<b>RESISTOR</b>			
R1521	NRSA63J-223X	MG R	22kΩ 1/16W J
R1522	NRSA63J-562X	MG R	5.6kΩ 1/16W J
R1551	NRSA63J-100X	MG R	10Ω 1/16W J
R1552	NRSA63J-124X	MG R	120kΩ 1/16W J
R1553	NRSA63J-683X	MG R	68kΩ 1/16W J
R1554	NRSA63J-562X	MG R	5.6kΩ 1/16W J
R1555	NRSA63J-333X	MG R	33kΩ 1/16W J
R1556	NRSA63J-472X	MG R	4.7kΩ 1/16W J
R1557	NRSA63J-562X	MG R	5.6kΩ 1/16W J
R1558	NRSA63J-104X	MG R	100kΩ 1/16W J
R1559	NRSA63J-154X	MG R	150kΩ 1/16W J
R1560	NRSA63J-100X	MG R	10Ω 1/16W J
R1561	QRN143J-080X	C R	0.08Ω 1/4W J
R1562	NRSA63J-683X	MG R	68kΩ 1/16W J
R1563	NRSA63J-103X	MG R	10kΩ 1/16W J
R1564	NRSA63J-223X	MG R	22kΩ 1/16W J
R1565	NRSA63J-562X	MG R	5.6kΩ 1/16W J
R1591	NRSA63J-561X	MG R	560Ω 1/16W J
R1592	NRSA63J-332X	MG R	3.3kΩ 1/16W J
R1601	NRSA63J-273X	MG R	27kΩ 1/16W J
R1602	NRSA63J-103X	MG R	10kΩ 1/16W J
R1603	NRSA63J-273X	MG R	27kΩ 1/16W J
R1604	NRSA63J-103X	MG R	10kΩ 1/16W J
R1605	NRSA63J-473X	MG R	47kΩ 1/16W J
R1606	NRSA63J-273X	MG R	27kΩ 1/16W J
R1609	NRSA63J-104X	MG R	100kΩ 1/16W J
R1610	NRSA63J-682X	MG R	6.8kΩ 1/16W J
R1618	NRSA63J-333X	MG R	33kΩ 1/16W J
R1619	NRSA63J-104X	MG R	100kΩ 1/16W J
R1620	NRSA63J-562X	MG R	5.6kΩ 1/16W J
R1637	QRK126J-2R2X	C R	2.2Ω 1/2W J
R1639	NRSA63J-561X	MG R	560Ω 1/16W J
R1642-43	NRSA63J-681X	MG R	680Ω 1/16W J
R1644	NRSA63J-104X	MG R	100kΩ 1/16W J
R1645-46	NRSA63J-080X	MG R	0.08Ω 1/16W J
R1649	QRK126J-2R2X	C R	2.2Ω 1/2W J
R1650-51	NRSA63J-103X	MG R	10kΩ 1/16W J
R1654-55	NRSA63J-080X	MG R	0.08Ω 1/16W J
R1664-65	NRSA63J-103X	MG R	10kΩ 1/16W J
R1666	NRSA63J-473X	MG R	47kΩ 1/16W J
R1667	NRSA63J-183X	MG R	18kΩ 1/16W J
R1668	NRSA63J-473X	MG R	47kΩ 1/16W J
R1669	NRSA63J-183X	MG R	18kΩ 1/16W J
R1670-71	NRSA63J-104X	MG R	100kΩ 1/16W J
R1672	NRSA63J-223X	MG R	22kΩ 1/16W J
R1673	NRSA63J-273X	MG R	27kΩ 1/16W J
R1675	NRSA63J-103X	MG R	10kΩ 1/16W J
R1677-78	NRSA63J-103X	MG R	10kΩ 1/16W J
R1679	NRSA63J-223X	MG R	22kΩ 1/16W J
R1680	NRSA63J-273X	MG R	27kΩ 1/16W J
R1684	NRSA63J-080X	MG R	0.08Ω 1/16W J
R1687	NRSA63J-080X	MG R	0.08Ω 1/16W J
R1701-02	NRSA63J-103X	MG R	10kΩ 1/16W J
R1703-04	NRSA63J-102X	MG R	1kΩ 1/16W J
R1705-08	NRSA63J-103X	MG R	10kΩ 1/16W J
R1711-12	NRSA63J-101X	MG R	100Ω 1/16W J
R1714-15	NRSA63J-102X	MG R	1kΩ 1/16W J
R1716-17	NRSA63J-080X	MG R	0.08Ω 1/16W J
R1720-22	NRSA63J-102X	MG R	1kΩ 1/16W J
R1772-76	NRSA63J-221X	MG R	220Ω 1/16W J
R1951	QRK126J-220X	C R	22Ω 1/2W J
<b>CAPACITOR</b>			
C1001	NCB31HK-222X	CHIP CAP.	2200pF 50V K
C1002	QETN1HM-106Z	E CAP.	10μF 50V M

Symbol No.	Part No.	Part Name	Description
<b>CAPACITOR</b>			
C1004	NCB31CK-104X	CHIP CAP.	0.1µF 16V K
C1005	QETN1CM-108Z	E CAP.	1000µF 16V M
C1006	NCB31HK-103X	C CAP.	0.01µF 50V K
C1007	QETN1HM-106Z	E CAP.	10µF 50V M
C1009	NCB31CK-104X	CHIP CAP.	0.1µF 16V K
C1010	QETN1HM-106Z	E CAP.	10µF 50V M
C1101	NCB31CK-104X	CHIP CAP.	0.1µF 16V K
C1102	QETN1HM-106Z	E CAP.	10µF 50V M
C1103	NCB31CK-104X	CHIP CAP.	0.1µF 16V K
C1104	QETN1CM-107Z	E CAP.	100µF 16V M
C1105	QETN1HM-106Z	E CAP.	10µF 50V M
C1106-07	NCB31CK-104X	CHIP CAP.	0.1µF 16V K
C1108	NDC31HJ-680X	C CAP.	680pF 50V J
C1111	NDC31HJ-821X	C CAP.	820pF 50V J
C1112-13	NDC31HJ-470X	C CAP.	47pF 50V J
C1114	NDC31HJ-180X	C CAP.	18pF 50V J
C1115-16	NCB31HK-472X	C CAP.	4700pF 50V K
C1117-18	NCB31HK-103X	C CAP.	0.01µF 50V K
C1119-20	NDC31HJ-2R0X	C CAP.	2.0pF 50V J
C1121	NCB31HK-103X	C CAP.	0.01µF 50V K
C1122-23	NDC31HJ-102X	C CAP.	1000pF 50V J
C1124-25	QETN1HM-106Z	E CAP.	10µF 50V M
C1126	NCB31CK-104X	CHIP CAP.	0.1µF 16V K
C1127	QETN1HM-106Z	E CAP.	10µF 50V M
C1128	NCB31CK-104X	CHIP CAP.	0.1µF 16V K
C1129	NCF31AZ-105X	C CAP.	1µF 10V Z
C1130	QETN1HM-106Z	E CAP.	10µF 50V M
C1151-54	NCF31AZ-105X	C CAP.	1µF 10V Z
C1155-56	NDC31HJ-102X	C CAP.	1000pF 50V J
C1301	QETN1CM-107Z	E CAP.	100µF 16V M
C1302-03	NCB31CK-104X	CHIP CAP.	0.1µF 16V K
C1305-09	NCB31CK-104X	CHIP CAP.	0.1µF 16V K
C1310	QETN1AM-228Z	E CAP.	2200µF 10V M
C1311	NCB31CK-683X	CHIP CAP.	0.068µF 16V K
C1312	NDC31HJ-221X	C CAP.	220pF 50V J
C1313-15	NCB31HK-223X	CHIP CAP.	0.022µF 50V K
C1316-18	NCB31HK-103X	C CAP.	0.01µF 50V K
C1320	QETNOJM-228Z	E CAP.	2200µF 6.3V M
C1321-23	NCB31HK-223X	CHIP CAP.	0.022µF 50V K
C1324	NDC31HJ-820X	C CAP.	82pF 50V J
C1351	QENC1EM-106Z	BP E CAP.	10µF 25V M
C1401	NCB31CK-104X	CHIP CAP.	0.1µF 16V K
C1402	QETN1CM-107Z	E CAP.	100µF 16V M
C1403-04	NCB31CK-104X	CHIP CAP.	0.1µF 16V K
C1453	NCB31HK-103X	C CAP.	0.01µF 50V K
C1454	NCB31EK-333X	CHIP CAP.	0.033µF 25V K
C1455-56	NCB31CK-104X	CHIP CAP.	0.1µF 16V K
C1457	NCB31EK-333X	CHIP CAP.	0.033µF 25V K
C1471	NCB31CK-104X	CHIP CAP.	0.1µF 16V K
C1472	NCB31HK-103X	C CAP.	0.01µF 50V K
C1473	NCB31CK-104X	CHIP CAP.	0.1µF 16V K
C1474	NCB31EK-333X	CHIP CAP.	0.033µF 25V K
C1475	NCB31CK-104X	CHIP CAP.	0.1µF 16V K
C1491	NCB31EK-473X	CHIP CAP.	0.047µF 25V K
C1501-02	NDC31HJ-150X	C CAP.	15pF 50V J
C1521	NCB31HK-103X	C CAP.	0.01µF 50V K
C1551-52	NCF31CZ-224X	C CAP.	0.22µF 16V Z
C1553	QETN1EM-476Z	E CAP.	47µF 25V M
C1554-55	NCF31CZ-224X	C CAP.	0.22µF 16V Z
C1560	QETN1CM-107Z	E CAP.	100µF 16V M
C1561	NDC31HJ-561X	C CAP.	560pF 50V J
C1562	QETN1HM-105Z	E CAP.	1µF 50V M
C1564	QFV71HJ-104Z	MF CAP.	0.1µF 50V J
C1591	NDC31HJ-471X	C CAP.	470pF 50V J
C1606-07	QETN1CM-227Z	E CAP.	220µF 16V M
C1616	QETN1HM-105Z	E CAP.	1µF 50V M
C1618	QETN1HM-105Z	E CAP.	1µF 50V M
C1628	QETN1HM-107Z	E CAP.	100µF 50V M
C1629	QETN1HM-106Z	E CAP.	10µF 50V M
C1630	NCF21HZ-224X	C CAP.	0.22µF 50V Z
C1632	NCF21HZ-224X	C CAP.	0.22µF 50V Z
C1634	QETM1HM-228	E CAP.	2200µF 50V M

Symbol No.	Part No.	Part Name	Description
<b>CAPACITOR</b>			
C1641-42	NCF21HZ-224X	C CAP.	0.22µF 50V Z
C1646-47	NCB31HK-103X	C CAP.	0.01µF 50V K
C1648-49	QETM1VM-108	E CAP.	1000µF 35V M
C1673-74	NCF31AZ-105X	C CAP.	1µF 10V Z
C1675	QETN1EM-476Z	E CAP.	47µF 25V M
C1676-77	NDC31HJ-151X	C CAP.	150pF 50V J
C1678-79	NDC31HJ-150X	C CAP.	15pF 50V J
C1680	NCF31AZ-105X	C CAP.	1µF 10V Z
C1681	NCB31HK-332X	CHIP CAP.	3300pF 50V K
C1682	NCB31EK-333X	CHIP CAP.	0.033µF 25V K
C1683	QETN1EM-476Z	E CAP.	47µF 25V M
C1684	NCB31HK-332X	CHIP CAP.	3300pF 50V K
C1685	NCB31EK-333X	CHIP CAP.	0.033µF 25V K
C1686	NCF31AZ-105X	C CAP.	1µF 10V Z
C1687	QETN1HM-106Z	E CAP.	10µF 50V M
C1688	QETN1EM-476Z	E CAP.	47µF 25V M
C1689	NCB31CK-104X	CHIP CAP.	0.1µF 16V K
C1695	NRSA63J-OR0X	MG R	0.0Ω 1/16W J
C1698	NRSA63J-OR0X	MG R	0.0Ω 1/16W J
C1699	NCB31HK-103X	C CAP.	0.01µF 50V K
C1701	QETN1HM-106Z	E CAP.	10µF 50V M
C1702	NCB31CK-563X	CHIP CAP.	0.056µF 16V K
C1951	QETN1CM-477Z	E CAP.	470µF 16V M
C1952-53	NCB31CK-104X	CHIP CAP.	0.1µF 16V K
C1954	QETN1AM-477Z	E CAP.	470µF 10V M
C1955	QETN1AM-227Z	E CAP.	220µF 10V M
C1956	QETN1AM-107Z	E CAP.	100µF 10V M
<b>COIL</b>			
L1001	QQL244K-270Z	PEAKING COIL	
L1002-03	QQL244K-100Z	COIL	10µH K
L1004	NQL092K-100X	INDUCTOR	
L1101	QRN143J-OR0X	C R	0.0Ω 1/4W J
L1102	QQL244K-4R7Z	COIL	4.7µH K
L1111	QQL244K-220Z	PEAKING COIL	
L1112	QQL244K-180Z	COIL	18µH K
L1301-02	NQL092K-1R5X	CHIP INDUCTOR	
L1951	QQL26AM-5R6Z	CHOKE COIL	
<b>DIODE</b>			
D1317-18	MA111-X	SI DIODE	
D1471-74	MA111-X	SI DIODE	
D1521	MA111-X	SI DIODE	
D1591	MA111-X	SI DIODE	
D1592	MA3051/M/-X	ZENER DIODE	
D1602	MA111-X	SI DIODE	
D1610-11	MA111-X	SI DIODE	
D1614-15	MA111-X	SI DIODE	
D1617	MA111-X	SI DIODE	
D1619-20	MA3330/L/-X	ZENER DIODE	
D1771-74	MA3056/M/-X	ZENER DIODE	
D1951	1SR35-400A-T5	SI DIODE	
D1981-82	MA111-X	SI DIODE	
<b>TRANSISTOR</b>			
Q1101-02	2SC2412K/QR/-X	SI TRANSISTOR	
Q1471-72	2SC2412K/QR/-X	SI TRANSISTOR	
Q1561	2SC2412K/QR/-X	SI TRANSISTOR	
Q1562	2SA1037AK/QR/-X	SI TRANSISTOR	
Q1601-02	2SA1037AK/QR/-X	SI TRANSISTOR	
Q1604-05	DTC124EKA-X	DIGI. TRANSISTOR	
Q1606	2SC2412K/QR/-X	SI TRANSISTOR	
Q1607	DTA124EKA-X	DIGI. TRANSISTOR	
Q1615	2SA1037AK/QR/-X	SI TRANSISTOR	
Q1616-17	DTC323TK-X	DIGI. TRANSISTOR	
<b>IC</b>			
IC1101	MSP3415DQGB3GHX	I. C. (MONO-ANA)	
IC1301	SDA9380	I C	

**POWER & DEF. P.W. BOARD ASS'Y  
(SMF-2003A-U2)**

Symbol No.	Part No.	Part Name	Description
<b>IC</b>			
IC1402	BA10324AF-XE	I C	
IC1471	UPC358G2-XE	I.C. (MONO-ANA)	
IC1551	LA6515	I.C. (MONO-ANA)	
IC1601	TA8246AH	I.C. (HYBRID)	
IC1662	BA4558F-X	I.C. (MONO-ANA)	
IC1663	NJM2150AM-X	I.C. (MONO-ANA)	
IC1701	JLC1562BF-X	I.C. (DIGI-MOS)	
IC1951	BA09T	I.C. (MONO-ANA)	
IC1952	BA08T	I.C. (MONO-ANA)	
<b>OTHERS</b>			
CN1013	QGA2501C1-10	W TO B CONNE	
CN10C2	QGA2501C5-06Z	EH POST HEADER	
CN10R3	QGA2501C5-03Z	EH POST HEADER	
J1001	QNO0296-001	PIN JACK	
K1001	NQR0389-003X	FERRITE BEADS	
K1101-02	NQR0389-003X	FERRITE BEADS	
K1301	NQR0413-003X	CHIP BEADS	
K1601-02	CE42681-001Y	BEADS CORE	
LC1102	NQR0431-001X	EMI FILTER	
LC1301-03	NQR0431-001X	EMI FILTER	
X1101	CE42546-001Z	CRYSTAL	
X1501	QAX0549-001Z	CRYSTAL	
TU1001	QAU0188-003	TUNER	

Symbol No.	Part No.	Part Name	Description
<b>RESISTOR</b>			
R2401-02	QRE141J-562Y	C R	5.6kΩ 1/4W J
R2403	QRE141J-222Y	C R	2.2kΩ 1/4W J
R2404	QRX01GJ-1R0	MF R	1.0Ω 1W J
R2405	QRL029J-151	OM R	150Ω 2W J
R2406	QRE141J-222Y	C R	2.2kΩ 1/4W J
R2407-08	QRX01GJ-1R5	MF R	1.5Ω 1W J
R2409	QRE141J-823Y	C R	82kΩ 1/4W J
R2410	QRE141J-103Y	C R	10kΩ 1/4W J
R2421	QRE141J-103Y	C R	10kΩ 1/4W J
R2422	QRE141J-274Y	C R	270kΩ 1/4W J
R2461	QRG029J-820	OM R	82 Ω 2W J
R2462	QRE141J-473Y	C R	47kΩ 1/4W J
R2463	QRA14CF-9101Y	MF R	9.1kΩ 1/4W F
R2464	QRX01GJ-2R7	MF R	2.7Ω 1W J
R2468	QRE141J-102Y	C R	1kΩ 1/4W J
R2469	QRE141J-272Y	C R	2.7kΩ 1/4W J
R2471	QRE141J-391Y	C R	390Ω 1/4W J
R2472	QRA14CF-1002Y	MF R	10kΩ 1/4W F
R2473	QRE141J-473Y	C R	47kΩ 1/4W J
R2474	QRE141J-103Y	C R	10kΩ 1/4W J
R2475	QRE141J-102Y	C R	1kΩ 1/4W J
R2476	QRE141J-102Y	C R	1kΩ 1/4W J
R2477	QRE141J-563Y	C R	56kΩ 1/4W J
R2478	QRE141J-333Y	C R	33kΩ 1/4W J
R2501	QRE141J-471Y	C R	470Ω 1/4W J
R2502	QRE141J-123Y	C R	12kΩ 1/4W J
R2503	QRE121J-152Y	C R	1.5kΩ 1/2W J
R2504	QRL039J-272	OM R	2.7kΩ 3W J
R2505	QRL039J-332	OM R	3.3kΩ 3W J
R2506	QRE121J-5R6Y	C R	5.6Ω 1/2W J
R2521	QRE121J-471Y	C R	470Ω 1/2W J
R2522	QRE141J-223Y	C R	22kΩ 1/4W J
R2523	QRE141J-103Y	C R	10kΩ 1/4W J
R2524	QRC121K-152Z	COMP. R	1.5kΩ 1/2W K
R2541	QRE141J-182Y	C R	1.8kΩ 1/4W J
R2542	QRE141J-222Y	C R	2.2kΩ 1/4W J
R2543	QRE121J-272Y	C R	2.7kΩ 1/2W J
△ R2551	QRZ9022-R47	F R	0.47 Ω 1W K
△ R2552	QRZ9022-R47	F R	0.47 Ω 1W K
△ R2561	QRG01GJ-220	OM R	22Ω 1W J
R2562	QRE121J-123Y	C R	12kΩ 1/2W J
R2563	QRZ0056-103Z	COMP. R	10kΩ
R2581	QRF154K-4R7	UNF R	4.7Ω 15W K
R2582	QRE141J-681Y	C R	680Ω 1/4W J
R2583	QRE121J-682Y	C R	6.8kΩ 1/2W J
R2584	QRE141J-183Y	C R	18kΩ 1/4W J
R2585	QRE141J-222Y	C R	2.2kΩ 1/4W J
R2586	QRA14CF-6801Y	MF R	6.8kΩ 1/4W F
R2587	QRA14CF-2101Y	MF R	2.1kΩ 1/4W F
R2588	QRE141J-103Y	C R	10kΩ 1/4W J
△ R2591	QRZ9017-4R7	F R	4.7 Ω 1/4W J
R2901	QRE121J-331Y	C R	330Ω 1/2W J
R2902	QRF054K-3R3	UNF R	3.3Ω 5W K
R2903	QRF104K-3R9	UNF R	3.9Ω 10W K
R2904	QRL039J-683	OM R	68kΩ 3W J
R2905-06	QRE121J-474Y	C R	470kΩ 1/2W J
R2908-09	QRL039J-823	OM R	82kΩ 3W J
△ R2910	QRZ9017-4R7	F R	4.7 Ω 1/4W J
R2911	QRE121J-152Y	C R	1.5kΩ 1/2W J
R2914	QRM059J-R10	MP R	0.10Ω 5W J
R2915	QRE121J-681Y	C R	680Ω 1/2W J
R2916	QRE121J-332Y	C R	3.3kΩ 1/2W J
△ R2932	QRZ9017-470	F R	47 Ω 1/4W J
R2933	QRE121J-272Y	C R	2.7kΩ 1/2W J
R2934	QRE121J-564Y	C R	560kΩ 1/2W J
R2935	QRE141J-472Y	C R	4.7kΩ 1/4W J
R2936	QRX01GJ-3R9	MF R	3.9Ω 1W J
R2937	QRE121J-681Y	C R	680Ω 1/2W J
R2941	QRE121J-331Y	C R	330Ω 1/2W J
R2942	QRE121J-471Y	C R	470Ω 1/2W J
R2943	QRE141J-103Y	C R	10kΩ 1/4W J
R2944	QRE141J-103Y	C R	10kΩ 1/4W J

Symbol No.	Part No.	Part Name	Description
<b>RESISTOR</b>			
R2945	QRE141J-563Y	C R	56kΩ 1/4W J
R2946	QRE141J-103Y	C R	10kΩ 1/4W J
R2949	QRE141J-101Y	C R	100Ω 1/4W J
R2950	QRE141J-103Y	C R	10kΩ 1/4W J
R2951	QRE121J-102Y	C R	1kΩ 1/2W J
R2952	QRL039J-223	OM R	22kΩ 3W J
R2953	QRE141J-474Y	C R	470kΩ 1/4W J
R2954	QRE141J-103Y	C R	10kΩ 1/4W J
R2959	QRT039J-R68	MF R	0.68Ω 3W J
R2960	QRE141J-103Y	C R	10kΩ 1/4W J
R2963	QRL039J-561	OM R	560Ω 3W J
R2981	QRE141J-153Y	C R	15kΩ 1/4W J
R2982	QRE141J-102Y	C R	1kΩ 1/4W J
Δ R2991	QRZ0057-825	C R	8.2MΩ 1W J

Symbol No.	Part No.	Part Name	Description
<b>CAPACITOR</b>			
C2403	QFLC2AJ-104Z	M CAP.	0.1μF 100V J
C2404	QCZ0120-104Z	C CAP.	0.1μF 25V Z
C2405	QDC31HJ-820Z	C CAP.	82pF 50V J
C2406	QETM1VM-108	E CAP.	1000μF 35V M
C2408	QETN1VM-337Z	E CAP.	330μF 35V M
C2409-10	QFV71HJ-474Z	MF CAP.	0.47μF 50V J
C2411	QFLC2AJ-104Z	M CAP.	0.1μF 100V J
C2414	QCB31HK-682Z	C CAP.	6800pF 50V K
C2421	QETN1HM-105Z	E CAP.	1μF 50V M
C2461	QEZ0472-106Z	E CAP.	10μF 250V M
C2462-63	QFM72DJ-152Z	M CAP.	1500pF 200V J
C2464	QCZ0120-104Z	C CAP.	0.1μF 25V Z
C2465	QETN1HM-106Z	E CAP.	10μF 50V M
C2466	QFP31HJ-272Z	PP CAP.	2700pF 50V J
C2467	QFLC1HJ-102Z	M CAP.	1000pF 50V J
C2468	QETN1EM-476Z	E CAP.	47μF 25V M
C2470	QCS31HJ-470Z	C CAP.	47pF 50V J
C2471	QFLC1HJ-103Z	M CAP.	0.01μF 50V J
C2501	QCB32HK-331Z	C CAP.	330pF 500V K
C2502	QFM72DK-103	M CAP.	0.01μF 200V K
C2503	QFV71HJ-224Z	MF CAP.	0.22μF 50V J
C2521	QFZ0122-112	MPP CAP.	1100pF 1.8kVH±3%
Δ C2522	QFZ0200-113	MPP CAP.	0.011μF 1.5kVH±3%
C2523	QFM72DK-393	M CAP.	0.039μF 200V K
Δ C2524	QFP32JJ-223	PP CAP.	0.022μF 630V J
C2525	QFZ0194-914	MPP CAP.	0.91μF 250V J
C2526	QFZ0197-114	MPP CAP.	0.1μF 250V J
C2527	QFZ0194-154	MPP CAP.	0.15μF 250V J
C2528	QFZ0197-114	MPP CAP.	0.1μF 250V J
C2529	QFZ0194-154	MPP CAP.	0.15μF 250V J
C2530	QCB32HK-561Z	C CAP.	560pF 500V K
C2531	QFZ0194-534	MPP CAP.	0.53μF 250V J
C2532	QETM2CM-227	E CAP.	220μF 160V M
C2541	QENC1HM-105Z	BP E CAP.	1μF 50V M
C2551	QCB32HK-152Z	C CAP.	1500pF 500V K
C2552	QETN1CM-108Z	E CAP.	1000μF 16V M
C2553	QCB32HK-152Z	C CAP.	1500pF 500V K
C2554	QETN1CM-108Z	E CAP.	1000μF 16V M
C2555	QCB32HK-102Z	C CAP.	1000pF 500V K
C2556	QETN2EM-106Z	E CAP.	10μF 250V M
C2558	QETN1CM-477Z	E CAP.	470μF 16V M
C2559	QEHR1CM-227Z	E CAP.	220μF 16V M
C2561	QFLC2AJ-223Z	M CAP.	0.022μF 100V J
C2581	QETN1CM-107Z	E CAP.	100μF 16V M
C2582	QETN1EM-476Z	E CAP.	47μF 25V M
C2583	QETN2AM-106Z	E CAP.	10μF 100V M
C2584	QETN1AM-227Z	E CAP.	220μF 10V M
Δ C2901	QFZ9075-473	MPP CAP.	0.047μFAC275V M
Δ C2902	QFZ9075-104	MPP CAP.	0.1μFAC275V M
Δ C2903	QFZ9075-473	MPP CAP.	0.047μFAC275V M
C2904	QCZ9054-472	C CAP.	4700pFAC250V Z
C2905	QCZ9054-472	C CAP.	4700pFAC250V Z
C2906	QCZ9054-472	C CAP.	4700pFAC250V Z
C2907	QEZ0199-227	E CAP.	220μF 400V M
C2908	QCB32HK-103	C CAP.	0.01μF 500V K
C2909	QCZ0340-391	C CAP.	390pF 2kV K

Symbol No.	Part No.	Part Name	Description
<b>CAPACITOR</b>			
C2910	QETN1HM-476Z	E CAP.	47μF 50V M
C2911	QCB31HK-122Z	C CAP.	1200pF 50V K
C2912	QCZ0340-561	C CAP.	
C2914	QCB31HK-471Z	C CAP.	470pF 50V K
C2916	QCB32HK-152Z	C CAP.	1500pF 500V K
Δ C2931	QCZ9054-472	C CAP.	4700pFAC250V Z
Δ C2932	QCZ9054-472	C CAP.	4700pFAC250V Z
Δ C2933	QCZ9054-472	C CAP.	4700pFAC250V Z
C2934	QETM2GM-226	E CAP.	22μF 400V M
C2936	QCZ0340-151	C CAP.	150pF 2kV K
C2937	QETN1HM-475Z	E CAP.	4.7μF 50V M
C2938	QCB31HK-222Z	C CAP.	2200pF 50V K
C2939	QFLC1HJ-103Z	M CAP.	0.01μF 50V J
C2940	QCB31HK-471Z	C CAP.	470pF 50V K
C2941	QETN1AM-108Z	E CAP.	1000μF 10V M
C2942	QFLC1HJ-102Z	M CAP.	1000pF 50V J
C2951	QEZ0203-227	E CAP.	220μF 160V M
C2952	QTM1EM-228	E CAP.	2200μF 25V M
C2954	QETM1VM-228	E CAP.	2200μF 35V M
C2959	QFV71HJ-684Z	MF CAP.	0.68μF 50V J
C2960	QCZ0131-821	C CAP.	820pF 2kV K
C2963	QCB32HK-152Z	C CAP.	1500pF 500V K
C2972	QETN1CM-108Z	E CAP.	1000μF 16V M
C2974-75	QEZ0256-128	E CAP.	1200μF 10V M
C2976	QETN1CM-108Z	E CAP.	1000μF 16V M
C2978-79	QEZ0256-128	E CAP.	1200μF 10V M
Δ C2991	QCZ9079-222	C CAP.	2200pFAC250V M
Δ C2993	QCZ9079-471	C CAP.	470pFAC250V K

Symbol No.	Part No.	Part Name	Description
<b>TRANSFORMER</b>			
T2501	QQR1111-001	DRIVE TRANSF.	
T2521	QQR1188-001	PIN TRANSF.	
Δ T2551	QQH0091-003-12	FBT	(SERVIC)With ANODE WIRE
T2561	QQR1096-001	DEF. TRANSF.	
Δ T2901	QOS0102-001	SW TRANSF.	
Δ T2931	QOS0101-001	SW TRANSF.	

Symbol No.	Part No.	Part Name	Description
<b>COIL</b>			
L2461	QQLZ030-801	INDUCTOR	
L2462	QQLZ028-272	CHOKE COIL	
L2521	QQLZ031-180	CHOKE COIL	
L2522	QQR1191-001	LINEARITY COIL	
L2551	QQLZ026-260	HEATER CHOKE	
L2552	QQL26AK-220Z	COIL	22μH K
L2561	QQLZ028-272	CHOKE COIL	
L2901-02	QQL401K-100Z	CHOKE COIL	
L2903	QQR1200-001	CHOKE COIL	
L2951	QQLZ026-460	HEATER CHOKE	
L2954-55	QQR1129-001	CHOKE COIL	
L2957	QQLZ026-460	HEATER CHOKE	
L2958	QQLZ026-460	HEATER CHOKE	
L2959-60	QQL26AK-220Z	COIL	22μH K

Symbol No.	Part No.	Part Name	Description
<b>DIODE</b>			
D2402	1SR35-400A-T2	SI. DIODE	
D2421	1SS133-T2	SI. DIODE	
D2461	EU2-T3	SI. DIODE	
D2462	1SS133-T2	SI. DIODE	
D2463	1SS133-T2	SI. DIODE	
D2501	1SS81-T5	SI. DIODE	
D2521	V11CA-C1	SI. DIODE	
D2522	FMW-3FU-F1	SI. DIODE	
D2523	MTZJ22B-T2	ZENER DIODE	
D2541	EU2-T3	SI. DIODE	
D2542	MTZJ3.9B-T2	ZENER DIODE	
D2551	EU2-T3	SI. DIODE	
D2552	EU2-T3	SI. DIODE	
D2553	RH15-T3	SI. DIODE	
D2582	MTZJ7.5B-T2	ZENER DIODE	
D2583	MTZJ7.55-T2	ZENER DIODE	
Δ D2584	EU2-T3	SI. DIODE	
D2901	D3SB60	BRIDGE DIODE	
D2902	RGIC-LFA1	SI. DIODE	

**CRT SOCKET P.W. BOARD ASS'Y  
(SMF-3004A-U2)**

Symbol No.	Part No.	Part Name	Description
<b>DIODE</b>			
D2904	AU01Z-T2	SI. DIODE	
D2905	AU01Z-T2	SI. DIODE	
D2906	MTZJ27B-T2	ZENER DIODE	
D2907	1SS133-T2	SI. DIODE	
D2908	1SS133-T2	SI. DIODE	
D2910	MTZJ15B-T2	ZENER DIODE	
D2912	MTZJ27B-T2	ZENER DIODE	
△ D2931	S1WB/A/60-4101	SI. DIODE	
D2933	AU01Z-T2	SI. DIODE	
D2934	AU01Z-T2	SI. DIODE	
D2935	1SS133-T2	SI. DIODE	
D2941	RGP10J-5025-T3	SI. DIODE	
D2943	MTZJ7.5B-T2	ZENER DIODE	
D2944	NJM431L-T	I. C. (MONO-ANA)	
D2945	1SS133-T2	SI. DIODE	
D2951	RU4B-F1	SI. DIODE	
D2952	FMX-G12S	SI. DIODE	
D2953	RU4B-F1	SI. DIODE	
D2954	FMX-G12S	SI. DIODE	
D2958	MTZJ33B-T2	ZENER DIODE	
D2959-60	RK34-LFC4	SI. DIODE	
D2961	1SR35-400A-T2	SI. DIODE	
D2981	1SS133-T2	SI. DIODE	
D2984	1SS133-T2	SI. DIODE	
D2985	1SS133-T2	SI. DIODE	
<b>TRANSISTOR</b>			
Q2421	DTC124ESA-T	DIGI. TRANSISTOR	
Q2422	2SC1740S/QR/-T	SI. TRANSISTOR	
Q2461	2SK2459N-F54	F. E. T.	
Q2462-63	2SC1740S/QR/-T	SI. TRANSISTOR	
Q2464	2SA933AS/QR/-T	SI. TRANSISTOR	
△ Q2501	BSN304-T	F. E. T.	
△ Q2521	2SC5552-RL	SI. TRANSISTOR	
Q2581	2SA1208/ST/Z1-T	SI. TRANSISTOR	
Q2582	DTC144ESA-T	DIGI. TRANSISTOR	
Q2583	2SC1740S/QR/-T	SI. TRANSISTOR	
Q2941-42	2SC1740S/QR/-T	SI. TRANSISTOR	
<b>IC</b>			
IC2401	LA78041	I. C.	
IC2461	BA10393	I. C. (MONO-ANA)	
IC2551	BA12T	I. C. (MONO-ANA)	
IC2901	STR-F6667B/F7	I. C. (HYBRID)	
IC2931	STR-L472/F7	I. C.	
IC2951	SE140N	I. C. (HYBRID)	
IC2954	SI-8050S	I. C. (HYBRID)	
IC2955	SI-8033S/F1	I. C. (HYBRID)	
<b>OTHERS</b>			
△ CP2931	QMFZ043-2R0Z-J1	FUSE	
△ CP2941	ICP-N25-Y	I. C. PROTECT	
△ CP2954	ICP-N75-Y	I. C. PROTECT	
K2401	QQR0621-002Z	BEADS CORE	
K2522-24	CE41832-001	LEAD CORE	
K2901	QQR0679-001	FERRITE BEADS	
K2952	QQR0621-002Z	BEADS CORE	
K2953	QQR0621-002Z	BEADS CORE	
K2954	QQR0621-002Z	BEADS CORE	
△ LF2901	QQR1095-001	LINE FILTER	
△ TH2901	QAD0133-9R0	PTC	
△ RY2931	QSK0099-001	RELAY	
△ PC2901	PC123FY2	I. C. (PH. COUPLER)	
△ PC2931	PC123FY2	I. C. (PH. COUPLER)	

Symbol No.	Part No.	Part Name	Description
<b>RESISTOR</b>			
R3101	NRSA63J-123X	MG R	12kΩ 1/16W J
R3102	NRSA63J-681X	MG R	680Ω 1/16W J
R3103	NRSA63J-101X	MG R	100Ω 1/16W J
R3104	NRSA63J-472X	MG R	4.7kΩ 1/16W J
R3105	NRSA63J-102X	MG R	1kΩ 1/16W J
R3106	NRSA63J-221X	MG R	220Ω 1/16W J
R3107	NRSA63J-561X	MG R	560Ω 1/16W J
R3109	NRSA63J-153X	MG R	15kΩ 1/16W J
R3110	NRSA63J-222X	MG R	2.2kΩ 1/16W J
R3111	NRSA63J-471X	MG R	470Ω 1/16W J
R3112	NRSA63J-272X	MG R	2.7kΩ 1/16W J
R3113-14	NRSA63J-152X	MG R	1.5kΩ 1/16W J
R3115	NRSA63J-390X	MG R	39Ω 1/16W J
R3116	QRG01GJ-101	OM R	100Ω 1W J
R3117	NRSA63J-331X	MG R	330Ω 1/16W J
R3122	NRSA63J-122X	MG R	1.2kΩ 1/16W J
R3123	QRE121J-563Y	C R	56kΩ 1/2W J
R3124	NRSA63J-470X	MG R	47Ω 1/16W J
R3125	QRE121J-563Y	C R	56kΩ 1/2W J
R3126	NRSA63J-470X	MG R	47Ω 1/16W J
R3127	NRSA63J-122X	MG R	1.2kΩ 1/16W J
R3128	NRSA63J-390X	MG R	39Ω 1/16W J
R3129-30	QRE121J-2R7Y	C R	2.7Ω 1/2W J
R3131	NRSA63J-390X	MG R	39Ω 1/16W J
R3132	NRSA63J-121X	MG R	120Ω 1/16W J
R3133	QRL029J-681	OM R	680Ω 2W J
△ R3134	QRZ9021-561	F R	560 Ω 1W J
R3204-06	NRSA63J-272X	MG R	2.7kΩ 1/16W J
R3211	NRSA63J-154X	MG R	150kΩ 1/16W J
R3223-25	NRSA63J-272X	MG R	2.7kΩ 1/16W J
R3227	NRSA63J-103X	MG R	10kΩ 1/16W J
R3228	NRSA63J-272X	MG R	2.7kΩ 1/16W J
R3229-31	QRL029J-104	OM R	100kΩ 2W J
R3232-34	NRSA63J-332X	MG R	3.3kΩ 1/16W J
R3235-37	QRC121K-152Z	COMP. R	1.5kΩ 1/2W K
R3239	QRZ0107-474Z	C R	470kΩ 1/2W K
R3241	QRZ0107-105Z	C R	1.0MΩ 1/2W K
R3242	NRSA63J-103X	MG R	10kΩ 1/16W J
R3244	NRSA63J-102X	MG R	1kΩ 1/16W J
R3245-47	NRSA63J-562X	MG R	5.6kΩ 1/16W J
R3301-02	QRE121J-474Y	C R	470kΩ 1/2W J
R3303-04	NRSA63J-223X	MG R	22kΩ 1/16W J
R3305	NRSA63J-562X	MG R	5.6kΩ 1/16W J
R3306	NRSA63J-392X	MG R	3.9kΩ 1/16W J
R3310	NRSA63J-0R0X	MG R	0.0Ω 1/16W J
<b>CAPACITOR</b>			
C3102	NDC31HJ-6R0X	C CAP.	6pF 50V J
C3103	NDC31HJ-390X	C CAP.	39pF 50V J
C3104	QCB31HK-103Z	C CAP.	0.01μF 50V K
C3106	QETN1HM-335Z	E CAP.	3.3μF 50V M
C3107	QETN1CM-107Z	E CAP.	100μF 16V M
C3110	QETN2CM-106Z	E CAP.	10μF 160V M
C3111	QCB32HK-472Z	C CAP.	4700pF 500V K
C3113	QETN2CM-106Z	E CAP.	10μF 160V M
C3114	QCB32HK-472Z	C CAP.	4700pF 500V K
C3116-17	QETN1AM-107Z	E CAP.	100μF 10V M
C3118	QETN1AM-337Z	E CAP.	330μF 10V M
C3120-21	NDC31HJ-221X	C CAP.	220pF 50V J
C3201-03	NDC31HJ-100X	C CAP.	10pF 50V J
C3204-06	NCF31CZ-104X	C CAP.	0.1μF 16V Z
C3207-09	QETN1EM-476Z	E CAP.	47μF 25V M
C3210-12	QFK62EK-104Z	MM CAP.	0.1μF 250V K
C3213-15	NDC31HJ-181X	C CAP.	180pF 50V J
C3216	QETN1CM-107Z	E CAP.	100μF 16V M
C3218	QETN2EM-336	E CAP.	33μF 250V M
C3219	QFZ0097-223	MM CAP.	0.022μF 1250V K
C3221	QETN2EM-106Z	E CAP.	10μF 250V M
C3302	QETN1AM-477Z	E CAP.	470μF 10V M

AV28X10EUS  
AV28X10EIS

Symbol No.	Part No.	Part Name	Description
<b>COIL</b>			
L3101	QQL244K-5R6Z	COIL	5.6μH K
L3204	QQL26AJ-102Z	COIL	1mH J
<b>DIODE</b>			
D3101-02	MA111-X	SI. DIODE	
D3103	RH15-T3	SI. DIODE	
D3104	RH15-T3	SI. DIODE	
D3204-06	EU01N-T2	SI. DIODE	
D3208-10	1SR124-400A-T2	SI. DIODE	
D3211	MA3062/M/-X	ZENER DIODE	
D3301	MA111-X	SI. DIODE	
D3303	MA111-X	SI. DIODE	
<b>TRANSISTOR</b>			
Q3101	25C2412K/QR/-X	SI. TRANSISTOR	
Q3102	25A1037AK/QR/-X	SI. TRANSISTOR	
Q3103	25C1906-T	SI. TRANSISTOR	
Q3104	25C2412K/QR/-X	SI. TRANSISTOR	
Q3105	25C1627A/OV/-T	SI. TRANSISTOR	
Q3108	25A1837	SI. TRANSISTOR	
Q3109	25C4793	SI. TRANSISTOR	
Q3301	25A1037AK/QR/-X	SI. TRANSISTOR	
<b>IC</b>			
IC3201-03	TDA6111Q	I. C. (MONO-ANA)	
<b>OTHERS</b>			
K3101	CE41492-001Z	CHOKE COIL	
K3103-04	CE41492-001Z	CHOKE COIL	
K3105	QQR0621-002Z	BEADS CORE	
Δ SK3001	QNZ0380-001	C. R. T. SOCKET	

■ FRONT CONTROL P.W. BOARD ASS'Y  
(SMF-8004A-U2)

Symbol No.	Part No.	Part Name	Description
<b>RESISTOR</b>			
R8001-02	QRE121J-271Y	C. R.	270Ω 1/2W J
R8003	NRSA63J-102X	MG R	1kΩ 1/16W J
R8004	NRSA63J-222X	MG R	2.2kΩ 1/16W J
R8005	NRSA63J-221X	MG R	220Ω 1/16W J
R8006	NRSA63J-182X	MG R	1.8kΩ 1/16W J
R8008	NRSA63J-102X	MG R	1kΩ 1/16W J
R8010	NRSA63J-103X	MG R	10kΩ 1/16W J
R8012-13	NRSA63J-103X	MG R	10kΩ 1/16W J
R8020	NRSA63J-822X	MG R	8.2kΩ 1/16W J
R8021-22	NRSA63J-102X	MG R	1kΩ 1/16W J
R8035	QRE121J-151Y	C. R.	150Ω 1/2W J
R8036-37	NRSA63J-561X	MG R	560Ω 1/16W J
R8038	NRSA63J-182X	MG R	1.8kΩ 1/16W J
R8039	NRSA63J-331X	MG R	330Ω 1/16W J
<b>CAPACITOR</b>			
C8001-02	NCB31HK-103X	C. CAP.	0.01μF 50V K
C8003	QETN1HM-106Z	E. CAP.	10μF 50V M
C8004	NCB31CK-104X	CHIP. CAP.	0.1μF 16V K
C8005	NDC31HJ-680X	C. CAP.	680pF 50V J
C8010-11	NCB31HK-472X	C. CAP.	4700pF 50V K
C8019	QETN1CM-107Z	E. CAP.	100μF 16V M
C8021	NCB31CK-104X	CHIP. CAP.	0.1μF 16V K
C8022	QETN1EM-476Z	E. CAP.	47μF 25V M
Δ C8901	QFZ9040-474	MF. CAP.	0.47μFAC275V M

Symbol No.	Part No.	Part Name	Description
<b>COIL</b>			
L8001	QQR0716-001Z	LEAD CORE	
L8002-03	QQL244K-5R6Z	COIL	5.6μH K
L8010-11	QQL244K-270Z	PEAKING COIL	
L8012	QQR0716-001Z	LEAD CORE	
<b>DIODE</b>			
D8007	P1241-04	C. D. S.	
D8008	MA111-X	SI. DIODE	
D8009	SLR-342MG-T16	L. E. D. (GRN)	
D8010	SPR-39MWF	L. E. D.	
D8011	MA111-X	SI. DIODE	
D8012	SLR-342DU-T16	L. E. D. (ORG)	
D8013	SLR-342YY-T16	L. E. D. (YLW)	
D8014	MA3068/M/-X	ZENER DIODE	
D8018	MA3033-X	ZENER DIODE	
<b>TRANSISTOR</b>			
Q8001	25A1037AK/QR/-X	SI. TRANSISTOR	
Q8002	DTC124EKA-X	DIGI. TRANSISTOR	
Q8003-04	DTA124EKA-X	DIGI. TRANSISTOR	
Q8005-07	DTC124EKA-X	DIGI. TRANSISTOR	
<b>IC</b>			
IC8001	GP1U281Q	IFR DETECT UNIT	
<b>OTHERS</b>			
Δ	CEMG002-001Z	FUSE CLIP	
	LC30596-001B-C	L. E. D. HOLDER	
	CM35921-005-H	CDS HOLDER	
Δ F8901	QMF51D2-3R15J1	FUSE	
J8001	QMS3004-C01	HEADPHONE JACK	
J8003	QNZ0453-001	JACK	
LC8002	NQR0169-001X	EMI FILTER	
Δ LF8901	QQR1095-001	LINE FILTER	
S8001	QSW0619-003Z	PUSH SWITCH	MENU
S8002	QSW0619-003Z	PUSH SWITCH	CH. DOWN
S8003	QSW0619-003Z	PUSH SWITCH	CH. UP
Δ S8901	QSW0824-001	PUSH SWITCH	POWER SW

■ MICON P.W. BOARD ASS'Y  
(SMF0M001A-U2)

Refer to PARTS LIST in page 46 for this P.W. board.

■ AV SW P.W. BOARD ASS'Y  
(SMF0S002A-U2)

Refer to PARTS LIST in page 47 for this P.W. board.

■ 100Hz P.W. BOARD ASS'Y  
(SMF0Z004A-U2)

Refer to PARTS LIST in page 48 for this P.W. board.

## AV28X10EKS

## PRINTED WIRING BOARD PARTS LIST

## ■ MAIN P.W. BOARD ASS'Y (SMF-1903A-U2)

△ Symbol No.	Part No.	Part Name	Description
<b>RESISTOR</b>			
R1002-03	NRSA63J-473X	MG R	47kΩ 1/16W J
R1004-05	NRSA63J-101X	MG R	100Ω 1/16W J
R1101	NRSA63J-102X	MG R	1kΩ 1/16W J
R1102	NRSA63J-181X	MG R	180Ω 1/16W J
R1103	NRSA63J-222X	MG R	2.2kΩ 1/16W J
R1104	NRSA63J-102X	MG R	1kΩ 1/16W J
R1105	NRSA63J-331X	MG R	330Ω 1/16W J
R1106	NRSA63J-270X	MG R	27Ω 1/16W J
R1107	NRSA63J-271X	MG R	270Ω 1/16W J
R1108	NRSA63J-102X	MG R	1kΩ 1/16W J
R1109-11	NRSA63J-101X	MG R	100Ω 1/16W J
R1151	NRSA63J-101X	MG R	100Ω 1/16W J
R1153	NRSA63J-101X	MG R	100Ω 1/16W J
R1156	NRSA63J-0R0X	MG R	0.0Ω 1/16W J
R1158-59	NRSA63J-0R0X	MG R	0.0Ω 1/16W J
R1161	NRSA63J-0R0X	MG R	0.0Ω 1/16W J
R1301-02	NRSA63J-101X	MG R	100Ω 1/16W J
R1303	NRSA63J-273X	MG R	27kΩ 1/16W J
R1304	NRSA63J-0R0X	MG R	0.0Ω 1/16W J
R1311	NRSA63J-331X	MG R	330Ω 1/16W J
R1312	NRSA63J-273X	MG R	27kΩ 1/16W J
R1313	NRSA63J-183X	MG R	18kΩ 1/16W J
R1314	NRSA63J-221X	MG R	220Ω 1/16W J
R1315-17	NRSA63J-101X	MG R	100Ω 1/16W J
R1318	NRSA63J-562X	MG R	5.6kΩ 1/16W J
R1319	NRSA63J-183X	MG R	18kΩ 1/16W J
R1321-22	NRSA63J-0R0X	MG R	0.0Ω 1/16W J
R1401-02	NRSA63J-102X	MG R	1kΩ 1/16W J
R1403-04	NRSA63J-331X	MG R	330Ω 1/16W J
R1405-06	NRSA63J-102X	MG R	1kΩ 1/16W J
R1451	NRSA63J-821X	MG R	820Ω 1/16W J
R1454	NRSA63J-472X	MG R	4.7kΩ 1/16W J
R1455-56	NRSA63J-123X	MG R	12kΩ 1/16W J
R1457	NRSA63J-392X	MG R	3.9kΩ 1/16W J
R1458	NRSA63J-123X	MG R	12kΩ 1/16W J
R1459	NRSA63J-472X	MG R	4.7kΩ 1/16W J
R1461	NRSA63J-123X	MG R	12kΩ 1/16W J
R1462	NRSA63J-153X	MG R	15kΩ 1/16W J
R1463	NRSA63J-104X	MG R	100kΩ 1/16W J
R1465-66	NRSA63J-224X	MG R	220kΩ 1/16W J
R1467	NRSA63J-563X	MG R	56kΩ 1/16W J
R1468	NRSA63J-224X	MG R	220kΩ 1/16W J
R1469	NRSA63J-683X	MG R	68kΩ 1/16W J
R1470	NRSA63J-223X	MG R	22kΩ 1/16W J
R1471	NRSA63J-273X	MG R	27kΩ 1/16W J
R1472	NRSA63J-682X	MG R	6.8kΩ 1/16W J
R1473	NRSA63J-123X	MG R	12kΩ 1/16W J
R1474	NRSA63J-563X	MG R	56kΩ 1/16W J
R1475	NRSA63J-153X	MG R	15kΩ 1/16W J
R1476-78	NRSA63J-123X	MG R	12kΩ 1/16W J
R1479	NRSA63J-154X	MG R	150kΩ 1/16W J
R1480	NRSA63J-823X	MG R	82kΩ 1/16W J
R1481	NRSA63J-472X	MG R	4.7kΩ 1/16W J
R1482	NRSA63J-272X	MG R	2.7kΩ 1/16W J
R1483	NRSA63J-472X	MG R	4.7kΩ 1/16W J
R1484	NRSA63J-473X	MG R	47kΩ 1/16W J
R1485	NRSA63J-123X	MG R	12kΩ 1/16W J
R1486	NRSA63J-472X	MG R	4.7kΩ 1/16W J
R1487	NRSA63J-183X	MG R	18kΩ 1/16W J
R1489	NRSA63J-333X	MG R	33kΩ 1/16W J
R1491	NRSA63J-332X	MG R	3.3kΩ 1/16W J
R1492	NRSA63J-562X	MG R	5.6kΩ 1/16W J
R1501	NRSA63J-0R0X	MG R	0.0Ω 1/16W J
R1504	NRSA63J-102X	MG R	1kΩ 1/16W J
R1511	NRSA63J-152X	MG R	1.5kΩ 1/16W J
R1512	NRSA63J-332X	MG R	3.3kΩ 1/16W J

△ Symbol No.	Part No.	Part Name	Description
<b>RESISTOR</b>			
R1521	NRSA63J-223X	MG R	22kΩ 1/16W J
R1522	NRSA63J-562X	MG R	5.6kΩ 1/16W J
R1551	NRSA63J-100X	MG R	10Ω 1/16W J
R1552	NRSA63J-124X	MG R	120kΩ 1/16W J
R1553	NRSA63J-683X	MG R	68kΩ 1/16W J
R1554	NRSA63J-562X	MG R	5.6kΩ 1/16W J
R1555	NRSA63J-333X	MG R	33kΩ 1/16W J
R1556	NRSA63J-472X	MG R	4.7kΩ 1/16W J
R1557	NRSA63J-562X	MG R	5.6kΩ 1/16W J
R1558	NRSA63J-104X	MG R	100kΩ 1/16W J
R1559	NRSA63J-154X	MG R	150kΩ 1/16W J
R1560	NRSA63J-100X	MG R	10Ω 1/16W J
R1561	QRN143J-0R0X	C R	0.0Ω 1/4W J
R1562	NRSA63J-683X	MG R	68kΩ 1/16W J
R1563	NRSA63J-103X	MG R	10kΩ 1/16W J
R1564	NRSA63J-223X	MG R	22kΩ 1/16W J
R1565	NRSA63J-562X	MG R	5.6kΩ 1/16W J
R1591	NRSA63J-561X	MG R	560Ω 1/16W J
R1592	NRSA63J-332X	MG R	3.3kΩ 1/16W J
R1601	NRSA63J-273X	MG R	27kΩ 1/16W J
R1602	NRSA63J-103X	MG R	10kΩ 1/16W J
R1603	NRSA63J-273X	MG R	27kΩ 1/16W J
R1604	NRSA63J-103X	MG R	10kΩ 1/16W J
R1605	NRSA63J-473X	MG R	47kΩ 1/16W J
R1606	NRSA63J-273X	MG R	27kΩ 1/16W J
R1609	NRSA63J-104X	MG R	100kΩ 1/16W J
R1610	NRSA63J-682X	MG R	6.8kΩ 1/16W J
R1618	NRSA63J-333X	MG R	33kΩ 1/16W J
R1619	NRSA63J-104X	MG R	100kΩ 1/16W J
R1620	NRSA63J-562X	MG R	5.6kΩ 1/16W J
R1637	QRK126J-2R2X	C R	2.2Ω 1/2W J
R1639	NRSA63J-561X	MG R	560Ω 1/16W J
R1642-43	NRSA63J-681X	MG R	680Ω 1/16W J
R1644	NRSA63J-104X	MG R	100kΩ 1/16W J
R1645-46	NRSA63J-0R0X	MG R	0.0Ω 1/16W J
R1649	QRK126J-2R2X	C R	2.2Ω 1/2W J
R1650-51	NRSA63J-103X	MG R	10kΩ 1/16W J
R1654-55	NRSA63J-0R0X	MG R	0.0Ω 1/16W J
R1664-65	NRSA63J-103X	MG R	10kΩ 1/16W J
R1666	NRSA63J-473X	MG R	47kΩ 1/16W J
R1667	NRSA63J-183X	MG R	18kΩ 1/16W J
R1668	NRSA63J-473X	MG R	47kΩ 1/16W J
R1669	NRSA63J-183X	MG R	18kΩ 1/16W J
R1670-71	NRSA63J-104X	MG R	100kΩ 1/16W J
R1672	NRSA63J-223X	MG R	22kΩ 1/16W J
R1673	NRSA63J-273X	MG R	27kΩ 1/16W J
R1675	NRSA63J-103X	MG R	10kΩ 1/16W J
R1677-78	NRSA63J-103X	MG R	10kΩ 1/16W J
R1679	NRSA63J-223X	MG R	22kΩ 1/16W J
R1680	NRSA63J-273X	MG R	27kΩ 1/16W J
R1684	NRSA63J-0R0X	MG R	0.0Ω 1/16W J
R1687	NRSA63J-0R0X	MG R	0.0Ω 1/16W J
R1701-02	NRSA63J-103X	MG R	10kΩ 1/16W J
R1705-08	NRSA63J-103X	MG R	10kΩ 1/16W J
R1711-12	NRSA63J-101X	MG R	100Ω 1/16W J
R1714-15	NRSA63J-102X	MG R	1kΩ 1/16W J
R1720-22	NRSA63J-102X	MG R	1kΩ 1/16W J
R1772-76	NRSA63J-221X	MG R	220Ω 1/16W J
R1951	QRK126J-220X	C R	22Ω 1/2W J
<b>CAPACITOR</b>			
C1001	NCB31HK-222X	CHIP CAP.	2200pF 50V K
C1002	QETN1HM-106Z	E CAP.	10μF 50V M
C1004	NCB31CK-104X	CHIP CAP.	0.1μF 16V K
C1005	QETN1CM-108Z	E CAP.	1000μF 16V M

Symbol No.	Part No.	Part Name	Description
<b>CAPACITOR</b>			
C1006	NCB31HK-103X	C CAP.	0.01µF 50V K
C1007	QETN1HM-106Z	E CAP.	10µF 50V M
C1009	NCB31CK-104X	CHIP CAP.	0.1µF 16V K
C1010	QETN1HM-106Z	E CAP.	10µF 50V M
C1101	NCB31CK-104X	CHIP CAP.	0.1µF 16V K
C1102	QETN1HM-106Z	E CAP.	10µF 50V M
C1103	NCB31CK-104X	CHIP CAP.	0.1µF 16V K
C1104	QETN1CM-107Z	E CAP.	100µF 16V M
C1105	QETN1HM-106Z	E CAP.	10µF 50V M
C1106-07	NCB31CK-104X	CHIP CAP.	0.1µF 16V K
C1108	NDC31HJ-680X	C CAP.	68pF 50V J
C1111	NDC31HJ-821X	C CAP.	820pF 50V J
C1112-13	NDC31HJ-470X	C CAP.	47pF 50V J
C1114	NDC31HJ-180X	C CAP.	180pF 50V J
C1115-16	NCB31HK-472X	C CAP.	4700pF 50V K
C1117-18	NCB31HK-103X	C CAP.	0.01µF 50V K
C1119-20	NDC31HJ-2R0X	C CAP.	2.0pF 50V J
C1121	NCB31HK-103X	C CAP.	0.01µF 50V K
C1122-23	NDC31HJ-102X	C CAP.	1000pF 50V J
C1124-25	QETN1HM-106Z	E CAP.	10µF 50V M
C1126	NCB31CK-104X	CHIP CAP.	0.1µF 16V K
C1127	QETN1HM-106Z	E CAP.	10µF 50V M
C1128	NCB31CK-104X	CHIP CAP.	0.1µF 16V K
C1130	QETN1HM-106Z	E CAP.	10µF 50V M
C1151-54	NCF31AZ-105X	C CAP.	1µF 10V Z
C1155-56	NDC31HJ-102X	C CAP.	1000pF 50V J
C1301	QETN1CM-107Z	E CAP.	100µF 16V M
C1302-03	NCB31CK-104X	CHIP CAP.	0.1µF 16V K
C1305-09	NCB31CK-104X	CHIP CAP.	0.1µF 16V K
C1310	QETN1AM-228Z	E CAP.	2200µF 10V M
C1311	NCB31CK-683X	CHIP CAP.	0.068µF 16V K
C1312	NDC31HJ-221X	C CAP.	220pF 50V J
C1313-15	NCB31HK-223X	CHIP CAP.	0.022µF 50V K
C1316-18	NCB31HK-103X	C CAP.	0.01µF 50V K
C1320	QETN0JM-228Z	E CAP.	2200µF 6.3V M
C1321-23	NCB31HK-223X	CHIP CAP.	0.022µF 50V K
C1324	NDC31HJ-820X	C CAP.	82pF 50V J
C1351	QENC1EM-106Z	BP E CAP.	10µF 25V M
C1401	NCB31CK-104X	CHIP CAP.	0.1µF 16V K
C1402	QETN1CM-107Z	E CAP.	100µF 16V M
C1403-04	NCB31CK-104X	CHIP CAP.	0.1µF 16V K
C1453	NCB31HK-103X	C CAP.	0.01µF 50V K
C1454	NCB31EK-333X	CHIP CAP.	0.033µF 25V K
C1455-56	NCB31CK-104X	CHIP CAP.	0.1µF 16V K
C1457	NCB31EK-333X	CHIP CAP.	0.033µF 25V K
C1471	NCB31CK-104X	CHIP CAP.	0.1µF 16V K
C1472	NCB31HK-103X	C CAP.	0.01µF 50V K
C1473	NCB31CK-104X	CHIP CAP.	0.1µF 16V K
C1474	NCB31EK-333X	CHIP CAP.	0.033µF 25V K
C1475	NCB31CK-104X	CHIP CAP.	0.1µF 16V K
C1491	NCB31EK-473X	CHIP CAP.	0.047µF 25V K
C1501-02	NDC31HJ-150X	C CAP.	15pF 50V J
C1521	NCB31HK-103X	C CAP.	0.01µF 50V K
C1551-52	NCF31CZ-224X	C CAP.	0.22µF 16V Z
C1553	QETN1EM-476Z	E CAP.	47µF 25V M
C1554-55	NCF31CZ-224X	C CAP.	0.22µF 16V Z
C1560	QETN1CM-107Z	E CAP.	100µF 16V M
C1561	NDC31HJ-561X	C CAP.	560pF 50V J
C1562	QETN1HM-105Z	E CAP.	1µF 50V M
C1564	QFV71HJ-104Z	MF CAP.	0.1µF 50V J
C1591	NDC31HJ-471X	C CAP.	470pF 50V J
C1606-07	QETN1CM-227Z	E CAP.	220µF 16V M
C1616	QETN1HM-105Z	E CAP.	1µF 50V M
C1618	QETN1HM-105Z	E CAP.	1µF 50V M
C1628	QETN1HM-107Z	E CAP.	100µF 50V M
C1629	QETN1HM-106Z	E CAP.	10µF 50V M
C1630	NCF21HZ-224X	C CAP.	0.22µF 50V Z
C1632	NCF21HZ-224X	C CAP.	0.22µF 50V Z
C1634	QETN1HM-228	E CAP.	2200µF 50V M
C1641-42	NCF21HZ-224X	C CAP.	0.22µF 50V Z
C1646-47	NCB31HK-103X	C CAP.	0.01µF 50V K
C1648-49	QETN1VM-108	E CAP.	1000µF 35V M

Symbol No.	Part No.	Part Name	Description
<b>CAPACITOR</b>			
C1673-74	NCF31AZ-105X	C CAP.	1µF 10V Z
C1675	QETN1EM-476Z	E CAP.	47µF 25V M
C1676-77	NDC31HJ-151X	C CAP.	150pF 50V J
C1678-79	NDC31HJ-150X	C CAP.	15pF 50V J
C1680	NCF31AZ-105X	C CAP.	1µF 10V Z
C1681	NCB31HK-332X	CHIP CAP.	3300pF 50V K
C1682	NCB31EK-333X	CHIP CAP.	0.033µF 25V K
C1683	QETN1EM-476Z	E CAP.	47µF 25V M
C1684	NCB31HK-332X	CHIP CAP.	3300pF 50V K
C1685	NCB31EK-333X	CHIP CAP.	0.033µF 25V K
C1686	NCF31AZ-105X	C CAP.	1µF 10V Z
C1687	QETN1HM-106Z	E CAP.	10µF 50V M
C1688	QETN1EM-476Z	E CAP.	47µF 25V M
C1689	NCB31CK-104X	CHIP CAP.	0.1µF 16V K
C1695	NRSAG6J-OROX	MG R	0.0Ω 1/16W J
C1698	NRSAG6J-OROX	MG R	0.0Ω 1/16W J
C1699	NCB31HK-103X	C CAP.	0.01µF 50V K
C1701	QETN1HM-106Z	E CAP.	10µF 50V M
C1702	NCB31CK-563X	CHIP CAP.	0.056µF 16V K
C1951	QETN1CM-477Z	E CAP.	470µF 16V M
C1952-53	NCB31CK-104X	CHIP CAP.	0.1µF 16V K
C1954	QETN1AM-477Z	E CAP.	470µF 10V M
C1955	QETN1AM-227Z	E CAP.	220µF 10V M
C1956	QETN1AM-107Z	E CAP.	100µF 10V M
<b>COIL</b>			
L1001	QLL244K-270Z	PEAKING COIL	
L1002-03	QLL244K-100Z	COIL	10µH K
L1101	QRN143J-OROX	C R	0.0Ω 1/4W J
L1102	QLL244K-4R7Z	COIL	4.7µH K
L1111	QLL244K-220Z	PEAKING COIL	
L1112	QLL244K-180Z	COIL	18µH K
L1301-02	NQL092K-1R5X	CHIP INDUCTOR	
L1951	QLL26AM-5R6Z	CHOKE COIL	
<b>DIODE</b>			
D1317-18	MA111-X	SI DIODE	
D1471-74	MA111-X	SI DIODE	
D1521	MA111-X	SI DIODE	
D1591	MA111-X	SI DIODE	
D1592	MA3051/M/-X	ZENER DIODE	
D1602	MA111-X	SI DIODE	
D1610-11	MA111-X	SI DIODE	
D1614-15	MA111-X	SI DIODE	
D1617	MA111-X	SI DIODE	
D1619-20	MA3330/L/-X	ZENER DIODE	
D1771-74	MA3056/M/-X	ZENER DIODE	
D1951	1SR35-400A-T5	SI DIODE	
D1981-82	MA111-X	SI DIODE	
<b>TRANSISTOR</b>			
Q1101-02	2SC2412K/QR/-X	SI TRANSISTOR	
Q1471-72	2SC2412K/QR/-X	SI TRANSISTOR	
Q1561	2SC2412K/QR/-X	SI TRANSISTOR	
Q1562	2SA1037AK/QR/-X	SI TRANSISTOR	
Q1601-02	2SA1037AK/QR/-X	SI TRANSISTOR	
Q1604-05	DTC124EKA-X	DIGI. TRANSISTOR	
Q1606	2SC2412K/QR/-X	SI TRANSISTOR	
Q1607	DTA124EKA-X	DIGI. TRANSISTOR	
Q1615	2SA1037AK/QR/-X	SI TRANSISTOR	
Q1616-17	DTC323TK-X	DIGI. TRANSISTOR	
<b>IC</b>			
IC1101	MSP34150QGB3GHX	I.C. (MONO-ANA)	
IC1301	SDA9380	I C	
IC1402	BA10324AF-XE	I C	
IC1471	UPC358G2-XE	I.C. (MONO-ANA)	
IC1551	LA6515	I.C. (MONO-ANA)	
IC1601	TA8246AH	I.C. (HYBRID)	
IC1662	BA4558F-X	I.C. (MONO-ANA)	
IC1663	NJM2150AM-X	I.C. (MONO-ANA)	



△ Symbol No.	Part No.	Part Name	Description
<b>IC</b>			
IC1701	JLC1562BF-X	I. C. (DIGI-MOS)	
IC1951	BA09T	I. C. (MONO-ANA)	
IC1952	BA08T	I. C. (MONO-ANA)	
<b>OTHERS</b>			
CN1013	QGA2501C1-10	W TO B CONNE	
CN10C2	QGA2501C5-06Z	EH POST HEADER	
CN10R3	QGA2501C5-03Z	EH POST HEADER	
J1001	QNN0296-001	PIN JACK	
K1001	NQR0389-003X	FERRITE BEADS	
K1101-02	NQR0389-003X	FERRITE BEADS	
K1301	NQR0413-003X	CHIP BEADS	
K1601-02	CE42681-001Y	BEADS CORE	
LC1102	NQR0431-001X	EMI FILTER	
LC1301-03	NQR0431-001X	EMI FILTER	
TU1001	QAU0189-002	TUNER	
X1101	CE42546-001Z	CRYSTAL	
X1501	QAX0549-001Z	CRYSTAL	

#### ■ POWER & DEF. P.W. BOARD ASS'Y (SMF-2003A-U2)

Refer to PARTS LIST in page 51 for this P.W. board.

#### ■ CRT SOCKET P.W. BOARD ASS'Y (SMF-3004A-U2)

Refer to PARTS LIST in page 53 for this P.W. board.

#### ■ FRONT CONTROL P.W. BOARD ASS'Y (SMF-8004A-U2)

Refer to PARTS LIST in page 54 for this P.W. board.

#### ■ MICON P.W. BOARD ASS'Y (SMF0M001A-U2)

Refer to PARTS LIST in page 46 for this P.W. board.

#### ■ AV SW P.W. BOARD ASS'Y (SMF0S002A-U2)

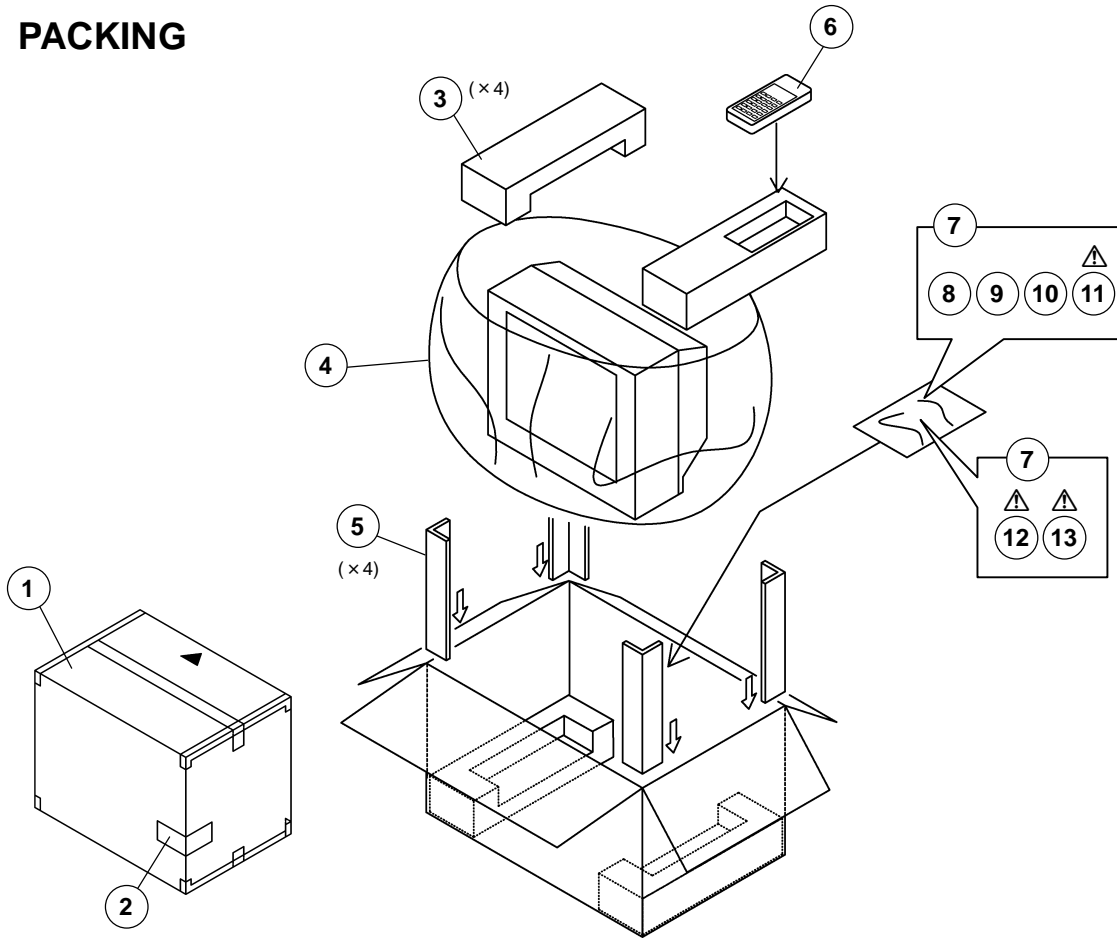
Refer to PARTS LIST in page 47 for this P.W. board.

#### ■ 100Hz P.W. BOARD ASS'Y (SMF0Z004A-U2)

Refer to PARTS LIST in page 48 for this P.W. board.

# AV32X10EUS

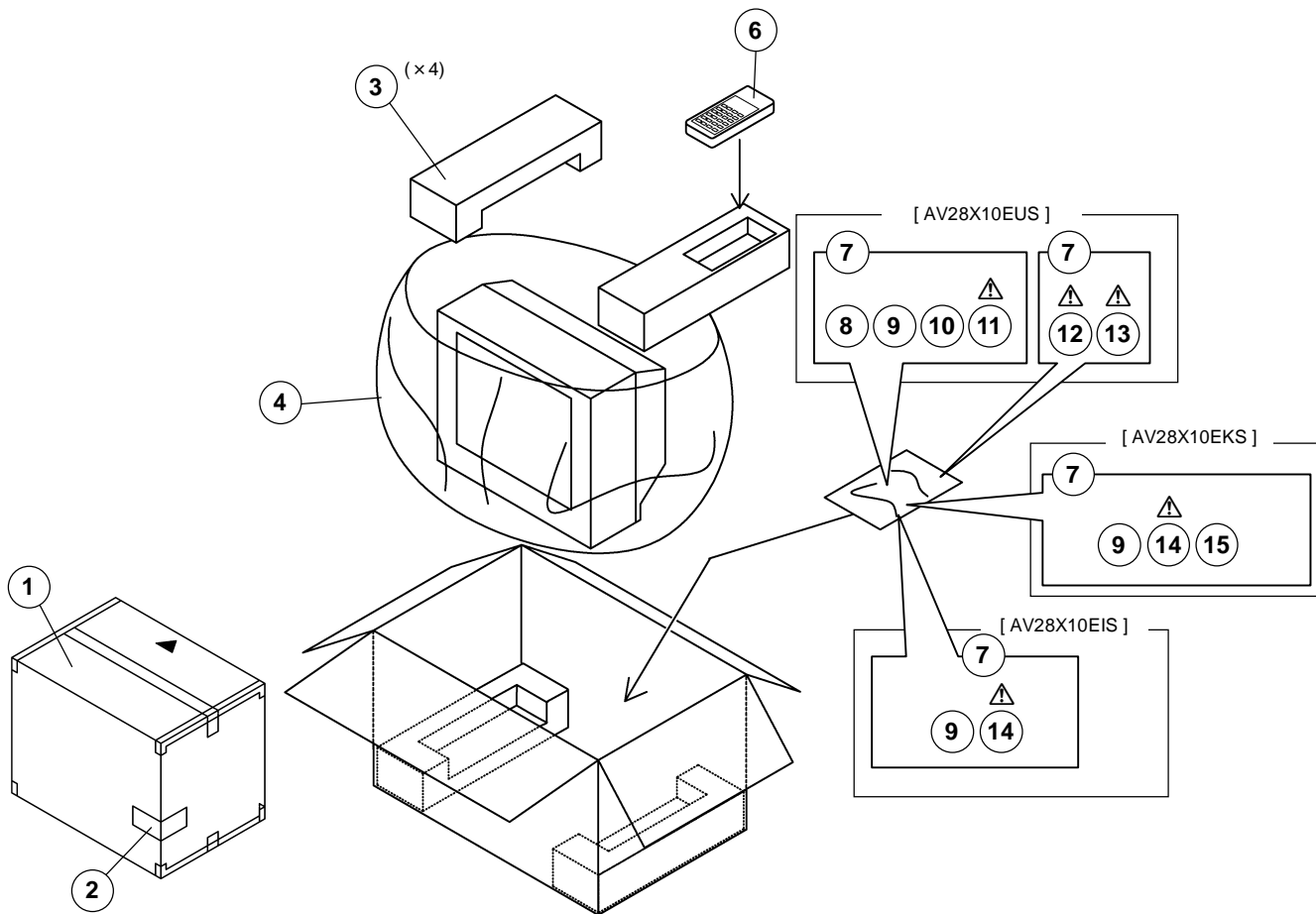
## PACKING



## PACKING PARTS LIST

△ Ref.No.	Part No.	Part Name	Description
<b>AV32X10EUS</b>			
1	AEM1002-070-E	PACKING CASE	
2	AEM1039-090-E	EURO LABEL	
3	LC10384-002C-U	CUSHION ASSY	4pcs in 1set
4	AEM1047-002-E	POLY BAG	
5	AEM3119-001-E	CORNER PAD	(×4)
6	RM-C54-1C	REMOCON UNIT	
7	AEM3021-002-E	POLY BAG	(×2)
8	AEM1059-001A-E	X-RAY CARD	
9	BT-54013-1E	WARRANTY CARD	
10	2832X10EUS-HSAE	S. DIAGRAM	(SERVICE) [ITALY EDITION]
△ 11	LCT0887-001A-U	INST BOOK	
△ 12	LCT0888-001A-U	INST BOOK	
△ 13	LCT0889-001A-U	INST BOOK	

## AV28X10EUS / AV28X10EKS / AV28X10EIS



△ Ref.No.	Part No.	Part Name	Description
<b>AV28X10EUS</b>			
1	AEM1002-A68-E	PACKING CASE	
2	AEM1039-091-E	EURO LABEL	
3	LC10722-002A-U	CUSHION ASSY	4psc in 1set
4	AEM1047-002-E	POLY BAG	
6	RM-C54-1C	REMOCON UNIT	
7	AEM3021-002-E	POLY BAG	(x2)
8	AEM1057-001A-E	X-RAY CARD	
9	BT-54013-1E	WARRANTY CARD	
10	2832X10EUS-HSAE	S.DIAGRAM	(SERVICE) [ITALY EDITION]
△ 11	LCT0887-001A-U	INST BOOK	
△ 12	LCT0888-001A-U	INST BOOK	
△ 13	LCT0889-001A-U	INST BOOK	
<b>AV28X10EKS</b>			
1	AEM1002-A68-E	PACKING CASE	
2	AEM1039-091-E	EURO LABEL	
3	LC10722-002A-U	CUSHION ASSY	4psc in 1set
4	AEM1047-002-E	POLY BAG	
6	RM-C55-1C	REMOCON UNIT	
7	AEM3021-002-E	POLY BAG	
9	BT-54013-1E	WARRANTY CARD	
△ 14	LCT0893-001A-U	INST BOOK	
15	AEM3148-001-E	REG. SHEET	
<b>AV28X10EIS</b>			
1	AEM1002-A68-E	PACKING CASE	
2	AEM1039-091-E	EURO LABEL	
3	LC10722-002A-U	CUSHION ASSY	4psc in 1set
4	AEM1047-002-E	POLY BAG	
6	RM-C55-1C	REMOCON UNIT	
7	AEM3021-002-E	POLY BAG	
9	BT-54013-1E	WARRANTY CARD	
△ 14	LCT0893-001A-U	INST BOOK	